

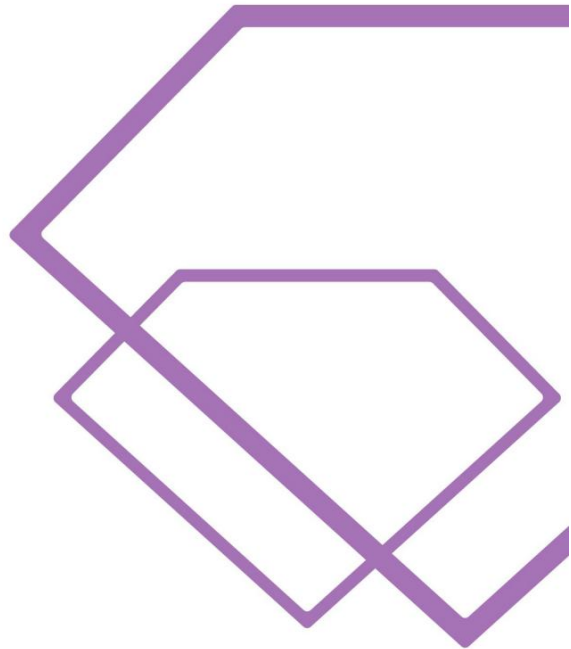
中国高端电脑缝纫机

CHINESE HIGH-END COMPUTERIZED SEWING MACHINE

HIKARI® 富山

零件手册

PARTS BOOK



HSAT-K4 系列  
Series

自动 (针织、梭织) 贴袋机

DESCRIPTION AUTO(KNIF WOVEN) POCKET SETTER

V1.00

# **HSAT-K4 AUTO POCKET SETTER**

## **Parts Book**

Compiled by\_\_\_\_\_

Reviewed by\_\_\_\_\_

Countersigned by\_\_\_\_\_

Approved by\_\_\_\_\_

## Table of Contents

Frame assembly 1	
Frame assembly 2	
Frame assembly 3	
Frame assembly 4	
X-Y DRIVE ASSEMBLY 1	
X-Y DRIVE ASSEMBLY 2.	
X-Y DRIVE ASSEMBLY 3	
X-Y DRIVE ASSEMBLY 4	
X-Y DRIVE ASSEMBLY 5	
X-Y DRIVE ASSEMBLY 6	
Pocket mold assembly 1	
Pocket mold assembly 2	
Pocket mold assembly 3	
Pocket mold assembly 4	
Folder assembly 1	
Folder assembly 2	
Folder assembly 3	
Folder assembly 4	
Feeding&fetching assembly 1	
Feeding&fetching assembly 2	
Inner pressure foot 1	
Inner pressure foot 2	
Mold clamping assembly 1	
Mold clamping assembly 2	
Outer frame assembly 1	
Outer frame assembly 2	
Supporting suction box assembly 1	
Supporting suction box assembly 2	
Suction air box 1	
Suction air box 2	
Discharging mechanism 1	
Discharging mechanism 2	
Hopper assembly 1	
Hopper assembly 2	
Stacker assembly 1.	
Stacker assembly 2	
Lifter assembly 1	
Lifter assembly 2	
Machine head assembly 1	
Machine head assembly 2	

Machine head assembly 3

Machine head assembly 4

Display assembly 1

Display assembly 2

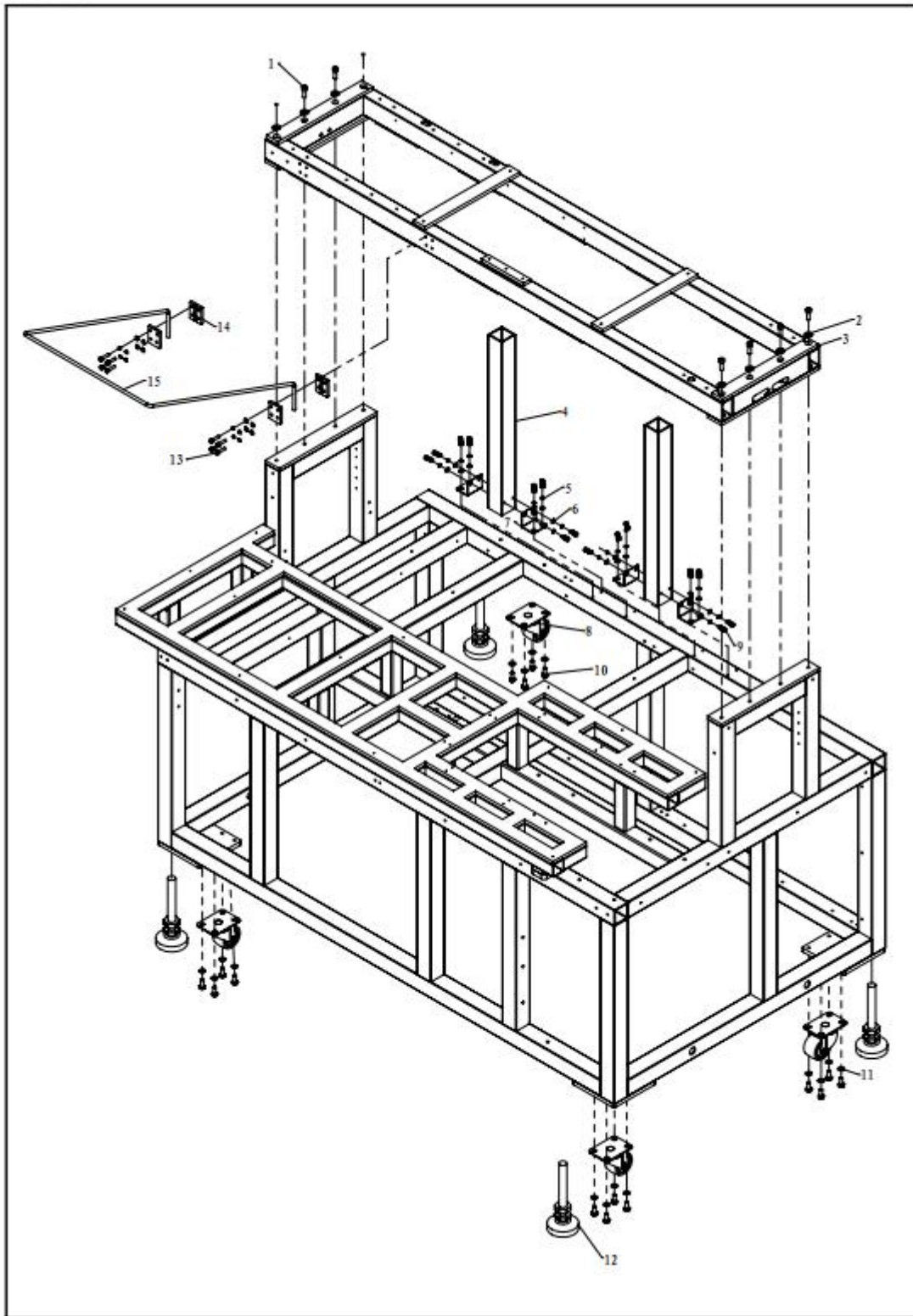
Pneumatic control assembly 1

Pneumatic control assembly 2

Frame enclosure 1

Frame enclosure 2

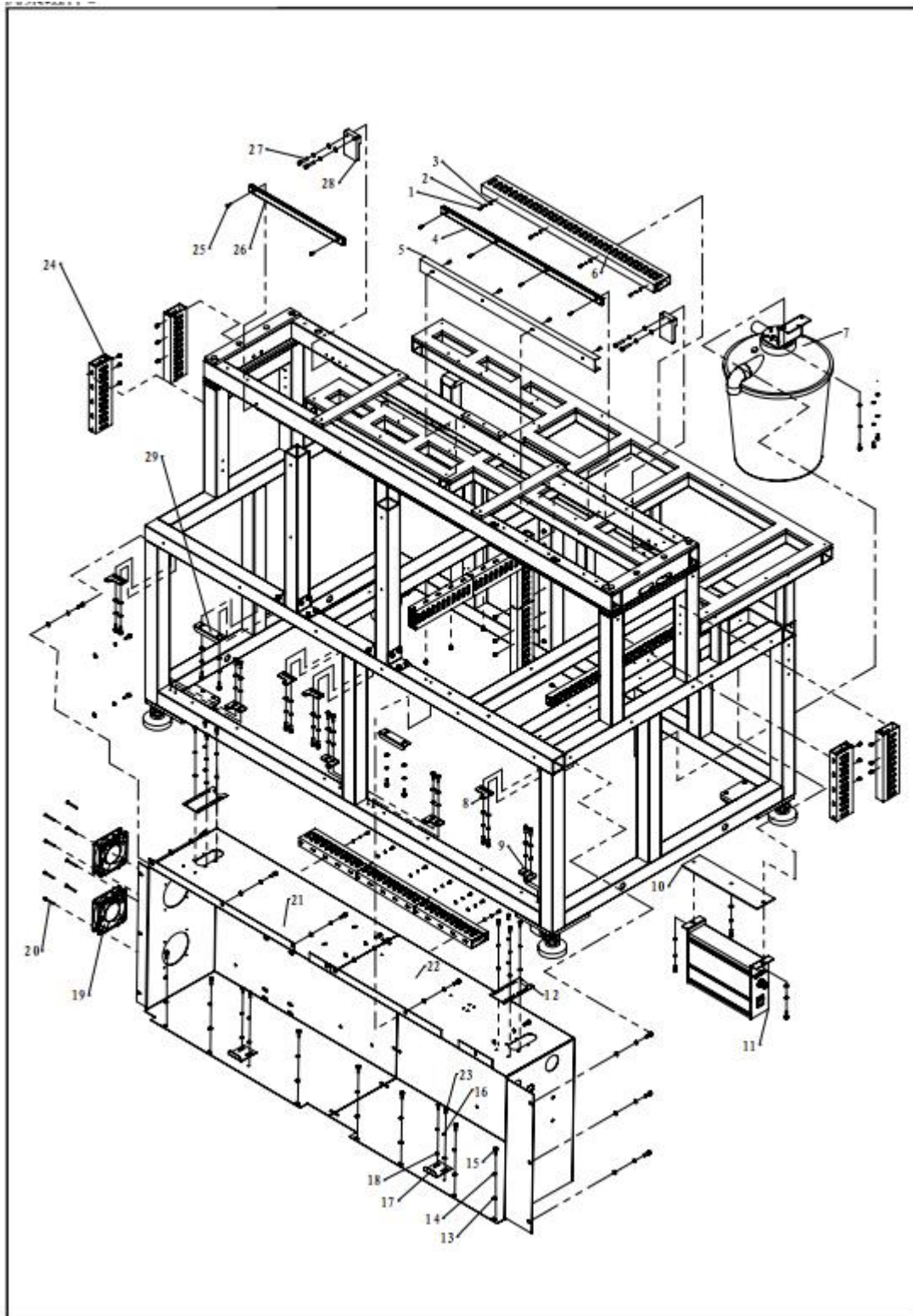
Frame assembly 1



Frame assembly 2

S/N	Material No.	Part No.	Name	NAME OF PARTS	Qty
1	30031101	01-508002524-6	Hex socket head cap screw M8x25		6
2	30036200	05-082202000-4	Washer 8.2x2x20		7
3	20005219	502.50-01-04-00	Upper rack assembly		1
4	30058066	502.50-39	Frame cover retention rod		2
5	30036188	07-0631616-6	Elastic washer 6.3x1.6x1.6		24
6	30037255	05-065101300-3	Flat washer 6.4x1.6x12		24
7	30043186	502.15-20	L connection		4
8	30039771	L08-P-956808-C	2.5 inch universal casters with brakes		4
9	30036101	01-506001624-3	Hex socket head cap screw M6x16		15
10	30036073	01-708002025-6	Hexagon bolt M8x20		16
11	30036253	05-084161600-3	Washer 8.5x1x14		16
12	30044313		Castor adjustment block		4
13	30026442	01-506002524-6	Hex socket head cap screw M6x25		8
14	30054249	502.50-01-04-11B	Folding guard sheath 1		4
15	30054251	502.50-01-04-12	Guard bar		1

Frame assembly 3

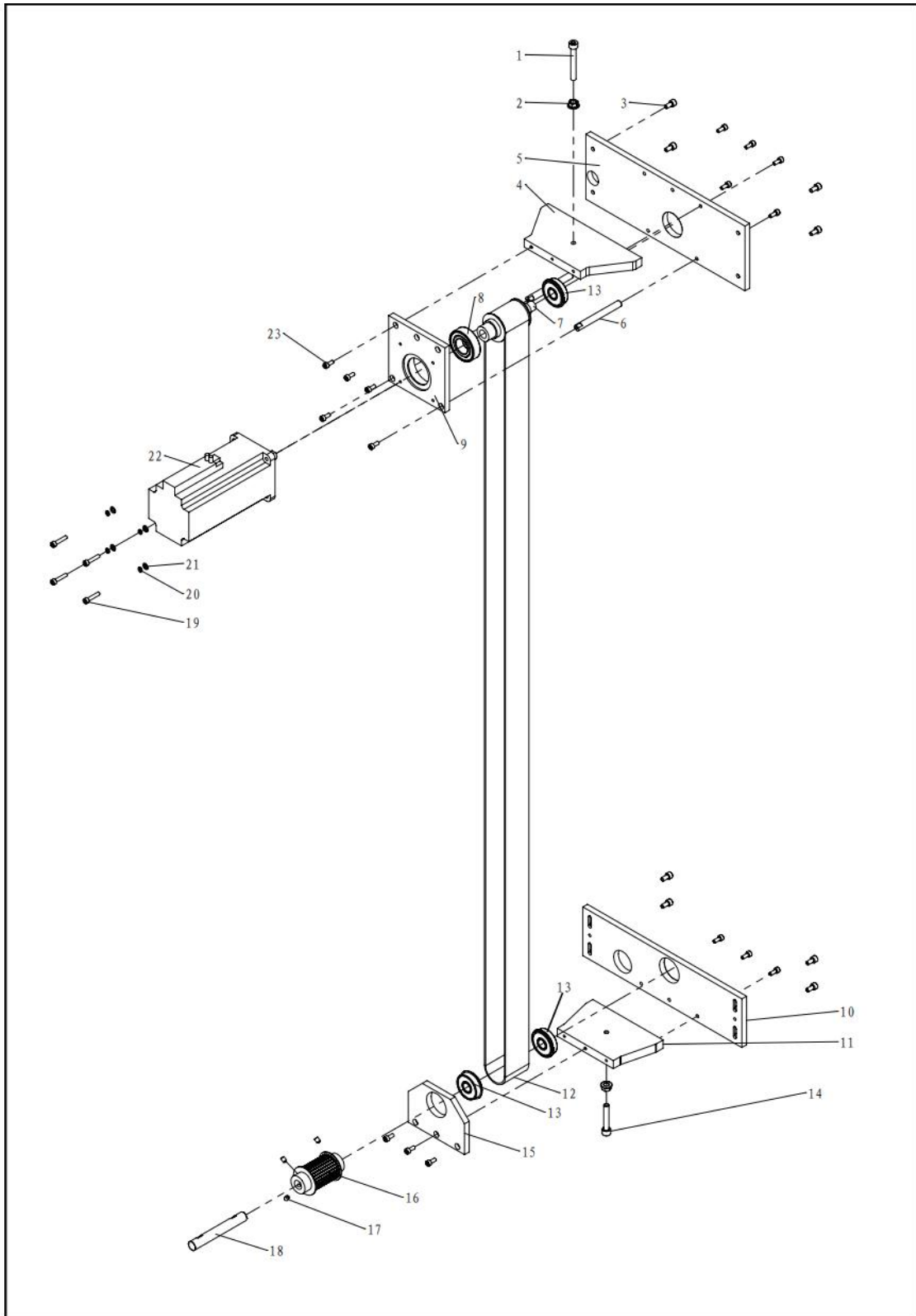


Frame assembly 4

S/N	Material No.	Part No.	Name	NAME OF PARTS	Qty
1	30030912	01-504000824-6	Hex socket head cap screwM4×8		43
2	30036187	07-0421111-6	Spring washer4.2×1.1×1.1		43
3	30036196	05-042030900-6	Washer4.2×0.3×9		43
4	30044825	502.21-30	Steel induction pipe		1
5	30036585	458.06-55-01	Line duct (aluminum alloy) 40×25		1
6	30034552		25 groove (silver gray) 25×65)		2
7	30043702		Suction fanGE102-2-BL		1
8	30045829	502.27-61	Upper mounting plate for cabinet door		4
9	30045828	502.27-60	Lower mounting plate for cabinet door		4
10	20005459	502.50-41	Fan controller mounting plate		1
11	30043702		[Suction fan] GE102-2-BL		1
12	30044162	502.27-27B	E-control panel cover		2
13	30037255	05-065101300-3	Washer0.65×1.0×1.3		46
14	30036188	07-0631616-6	Spring washer6.3×1.6×1.6		46
15	30036101	01-506001624-3	Hex socket head cap screwM6×16		42
16	30033908	07-0521313-6	Spring washer5.2×1.3×1.3		16
17	30045823	502.27-57B	Cabinet door bumper		2
18	30036241	05-053101000-3	Washer5.3×1.0×10.0		16
19	30040182	PM-DP200A	AC cooling fan/iron mesh 220V		2
20	30041962	01-504003524-6	Hex socket head cap screwM4×35		8
21	30054235	502.61-56B	E-control panel (right)		1
22	30054234	502.61-55B	E-control panel (left)		1
23	30037154	01-505001224-3	Hex socket head cap screwM5×12		16
24	30034552		25 groove (silver gray) 25×65		11
25	30044605	01-504001024-3	Hex socket head cap screw M4×10		6
26	30044826	502.21-31	Right induction tube		1
27	30033910	01-506003024-6	Hex socket head cap screw M6×30		4
28	30042451	502.21-24	X stopper		2
29	30044170	502.27-33B	Latch fixing plate		2



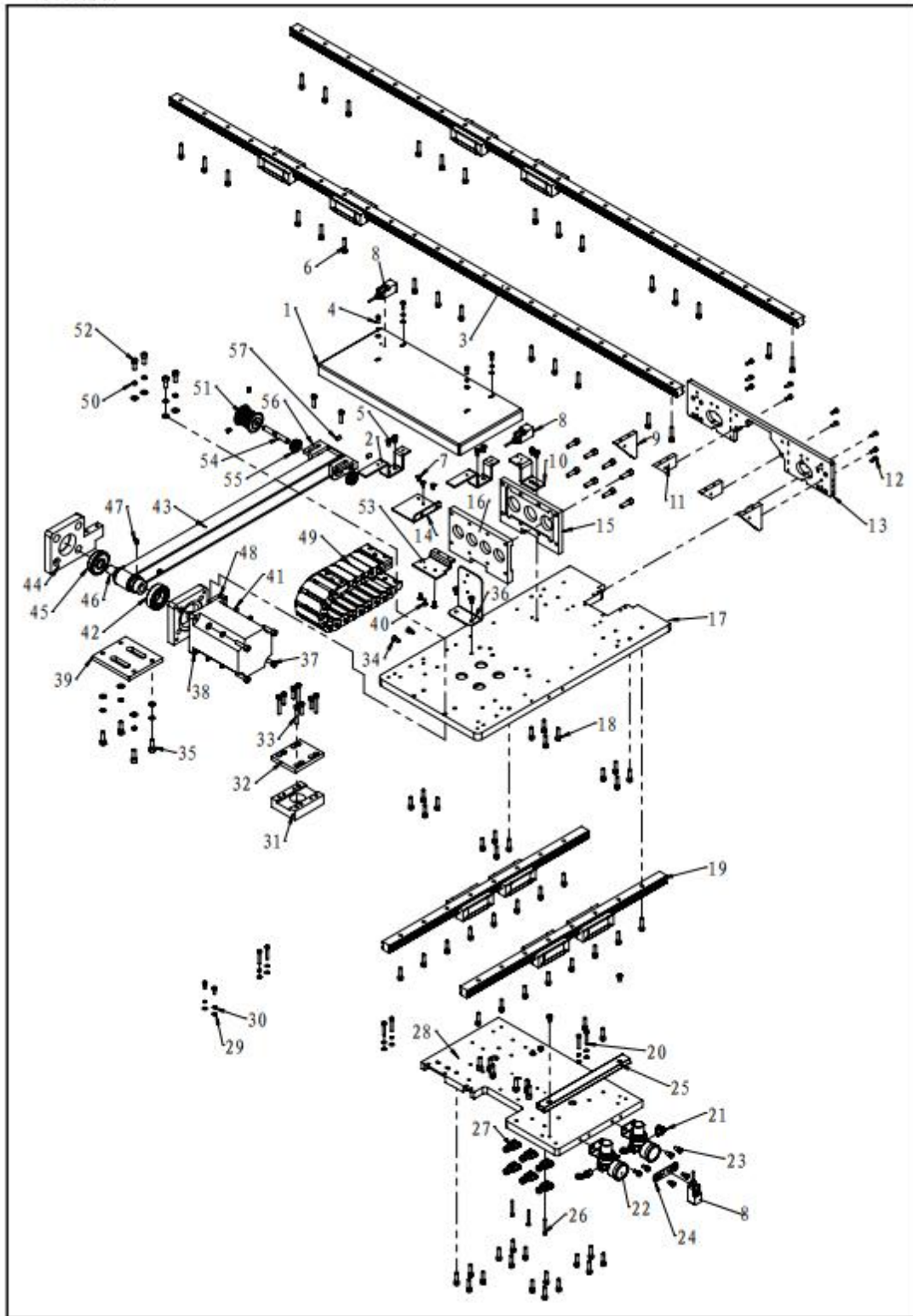
# X-Y DRIVE ASSEMBLY 1



## X-Y DRIVE ASSEMBLY 2

S/N	Material No.	Part No.	Name	NAME OF PARTS	Qty
1	30036110	01-508006024-6	Hex socket head cap screw M8×60		1
2	30042286	03-608000700-2	Hex nut		2
3	30030922	01-506001224-6	Hex socket head cap screw M6×12		8
4	30043155	502.21-02	x motor holder assembly 2		1
5	30043156	502.21-01	x motor holder assembly 1		1
6	30045144	502.21-38	x motor holder connection rod		2
7	30042448	502.21-08	X active belt pulley		1
8	30005933	14-6205-2Z	Bearing		1
9	30048397	502.21-41	x motor holder assembly 3		1
10	30043153	502.21-04	x driven pulley seat assembly 1		1
11	30043152	502.21-05	x driven pulley seat assembly 2		1
12	30042568	502.21-27	x synchronous belt		1
13	30038921	14-6302-2ZNR	Straight line bearing B6302ZZ2		3
14	30036108	01-508004524-6	Hex socket head cap screw M8×45		1
15	30043151	502.21-06	x driven pulley seat assembly 3		1
16	30042447	502.21-07	x driven belt pulley		1
17	30005337	01-806000814-1	Hex recessed set screw M6×8		6
18	30045143	502.21-29	Axle of x driven belt pulley		1
19	30030920	01-505002524-6	Hex socket head cap screw M5×25		4
20	30033908	07-0521313-6	Spring washer 5.2×1.3×1.3		4
21	30036241	05-053101000-3	Flat washer 5.3×1×10		4
22	30100413		Resseer stepper motor Mo-86s151c4600-01-E		1
23	30030917	01-505001224-6	Hex socket head cap screw M5×12		16

# X-Y DRIVE ASSEMBLY 3

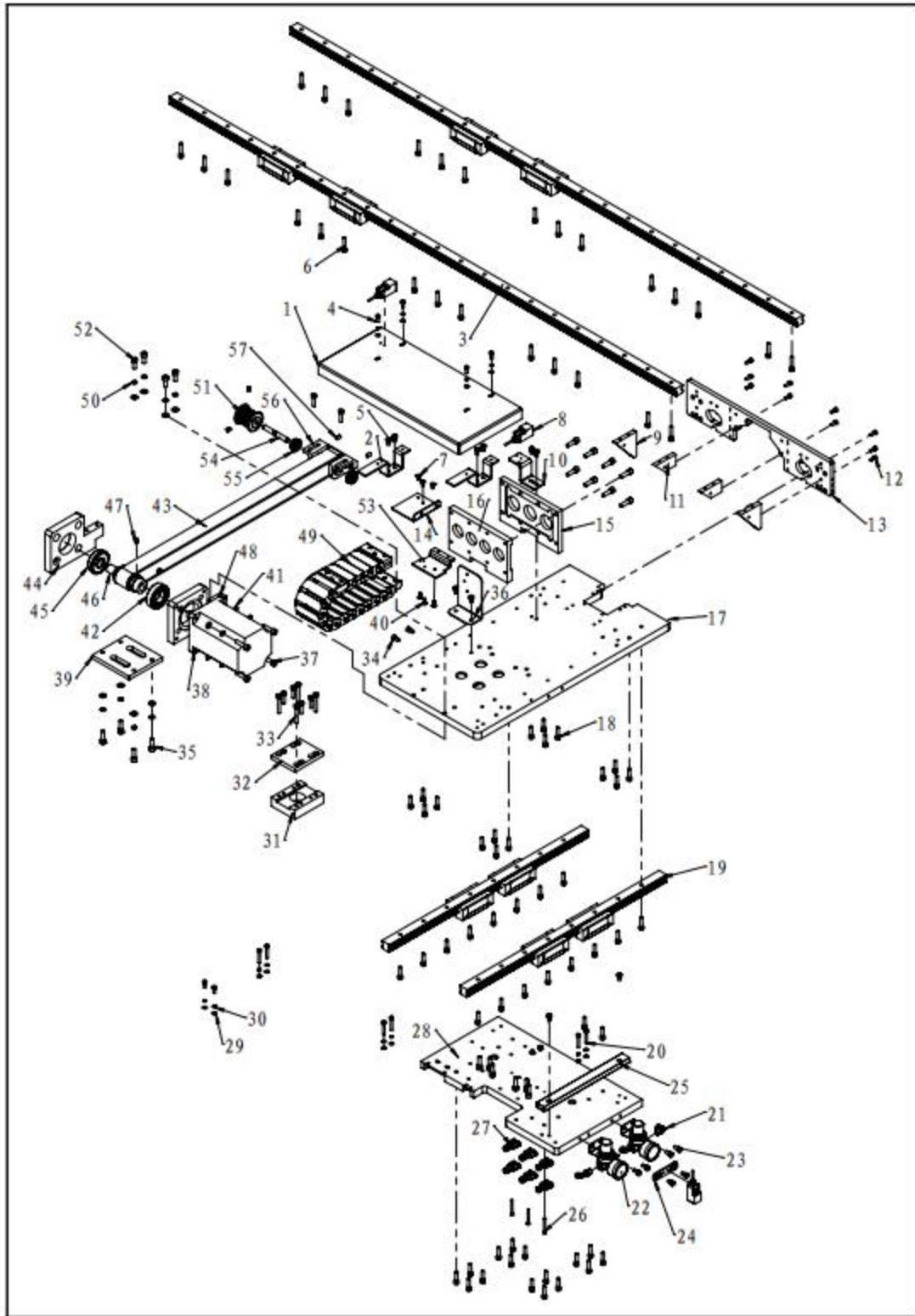


X-Y DRIVE ASSEMBLY 4

S/N	Material No.	Part No.	Name	NAME OF PARTS	Qty
1	30044289	502.21-37	Y motor cover		1
2	30044288	502.21-36	Y motor cover bracket		2
3	30042233	502.19-50-00	X guide rail assembly		2
4	30044605	01-504001024-3	Hex socket head cap screw M4x10		6
5	30044609	01-505000824-6	Hex socket head cap screw M5x8		12
6	30030920	01-505002524-6	Hex socket head cap screw M5x25		28
7	30037199	01-104001022-4	Cross recessed countersunk screw M4x10		3
8	30034523	SR-M105-18a	Square proximity switch (normally open)		3
9	30054208	502.59-09	Y motion support plate		2
10	30044375	502.21-39	X-Sensor holder (right)		1
11	30054208	502.59-09	Y motion support plate		2
12	30044605	01-504001024-3	Hex socket head cap screw M4x10		10
13	30054195	502.58-24	Slide cylinder mounting plate		1
14	30059282	502.59-16	Y chain fix board		1
15	30054201	502.59-02	X synchronous belt junction plate 2		1
16	30054202	502.59-03	X synchronous belt junction plate 1		1
17	30054200	502.59-01	X active plate		1
18	30037153	01-505002024-3	Hex socket head cap screw M5x20		56
19	30054209	502.59-10-00	Y guide rail assembly		2
20	30030915	01-504002524-6	Hex socket head cap screw M4x25		8
21	30041532		Thread two-way Coupler PL401		4
22	30039220	SDR100061	AirTAC regulator		2
23	30030916	01-505001024-6	Hex socket head cap screw M5x10		4
24	30043236	502.21-19	Y proximity sensor mounting plate		1
25	30046293	502.21-40	Y steel induction pipe		1
26	30021645	01-503003024-6	Hex socket head cap screwM3x30		3
27	30008273	331.18-15	Parallel tee connector HW800T		6
28	30054203	502.59-04	Y active plate-1		1
29	30036196	05-042030900-6	Flat washer 4.2x0.3x9		14
30	30036187	07-0421111-6	Elastic washer 4.2x1.1x1.1		14
31	30043141	502.21-20	Y synchronous belt junction plate 1A		1
32	30043140	502.21-21	Y synchronous belt junction plate 2A		1
33	30044612	01-505003524-6	Hex socket head cap screwM5x35		4
34	30030916	01-505001024-6	Hex socket head cap screw M5x10		2
35	30044616	01-506002024-3	Hex socket head cap screw M6x20		18
36	30044348	502.21-33	X chain frame		1

37	30026442	01-506002524-6	Hex socket head cap screw M6x25		4
38	30042832	MO-86CME80	Resay 86CME80 motor		1
39	30043147	502.21-15-01	Y motor holder 1A		1
40	30037199	01-104001022-4	Cross recessed countersunk screw M4x10		3
41	30037255	05-065101300-3	Flat washer 6.4x1.6x12		12
42	30049403	14-6005-2Z	BearingNSK		1
43	30042567	502.21-26	Y synchronous belt		1
44	30043146	502.21-15-02	Y motor holder 2A		1
45	30038921	14-6302-2ZNR	Straight line bearing B6302ZZ2		1
46	30057998	502.59-14	Y active belt pulley		1
47	30005337	01-806000814-1	Hex recessed set screw M6x8		4
48	30043145	502.21-15-03	Y motor holder 3A		1
49	30042672		Tow chain J18BF.1.50N(R=28)		1
50	30036188	07-0631616-6	Elastic washer 6.3x1.6x1.6		12
51	30057998	502.59-14	Y driven belt pulley		1
52	30033910	01-506003024-6	Hex socket head cap screw M6x30		4

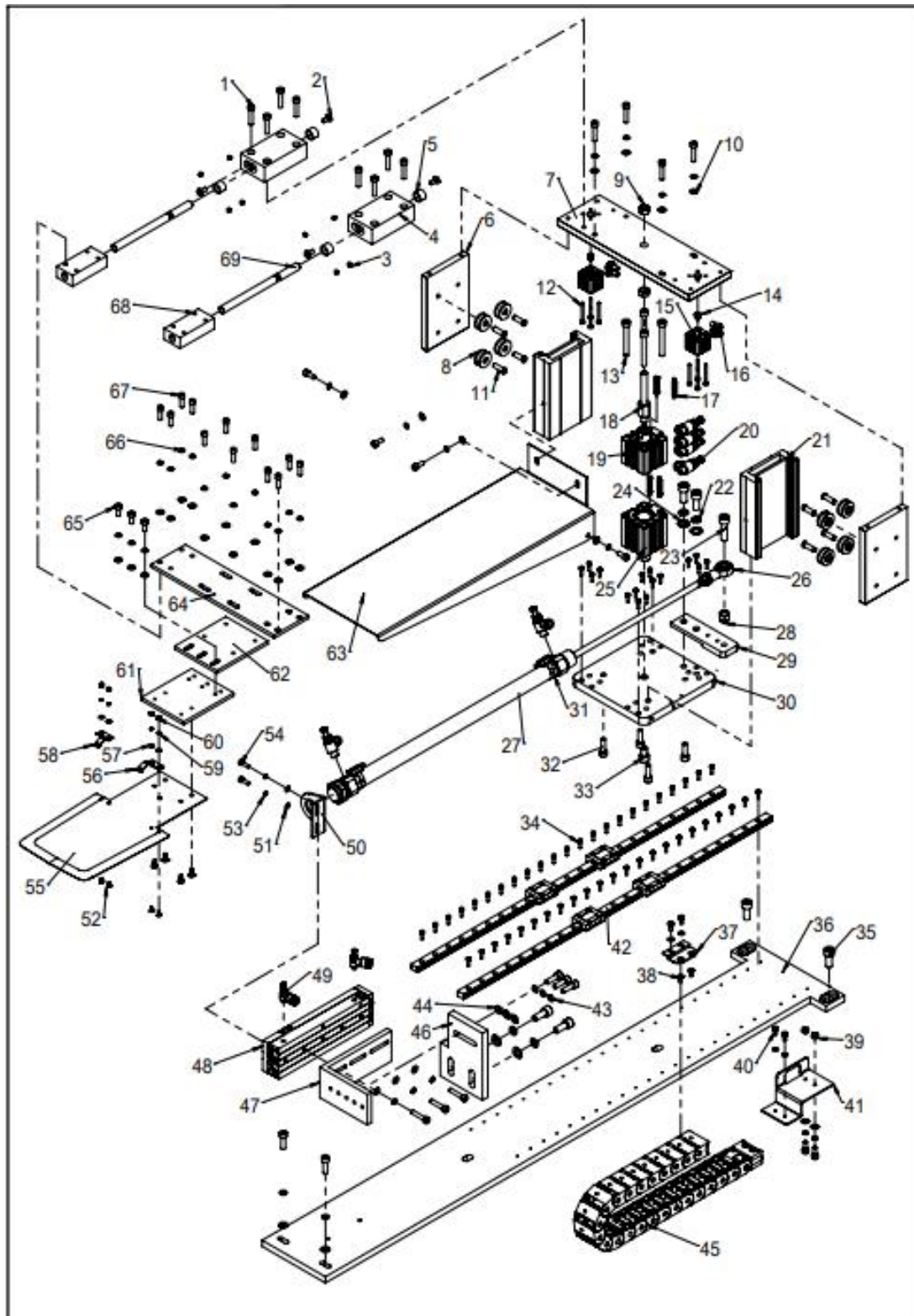
# X-Y DRIVE ASSEMBLY 5



X-Y DRIVE ASSEMBLY 6

S/N	Material No.	Part No.	Name	NAME OF PARTS	Qty
53	30044701	502.21-32	Tow chain brace plate		1
54	30043138	502.21-23	Axle of Y synchronous belt pulley		1
55	30005944	14-F608-2Z	Miniature bearing 8X22X7		2
56	30054204	502.59-05	Bearing tensioner		1
57	30005341	01-806001014-1	Hex recessed set screwM6×10		2

Pocket mold assembly 1



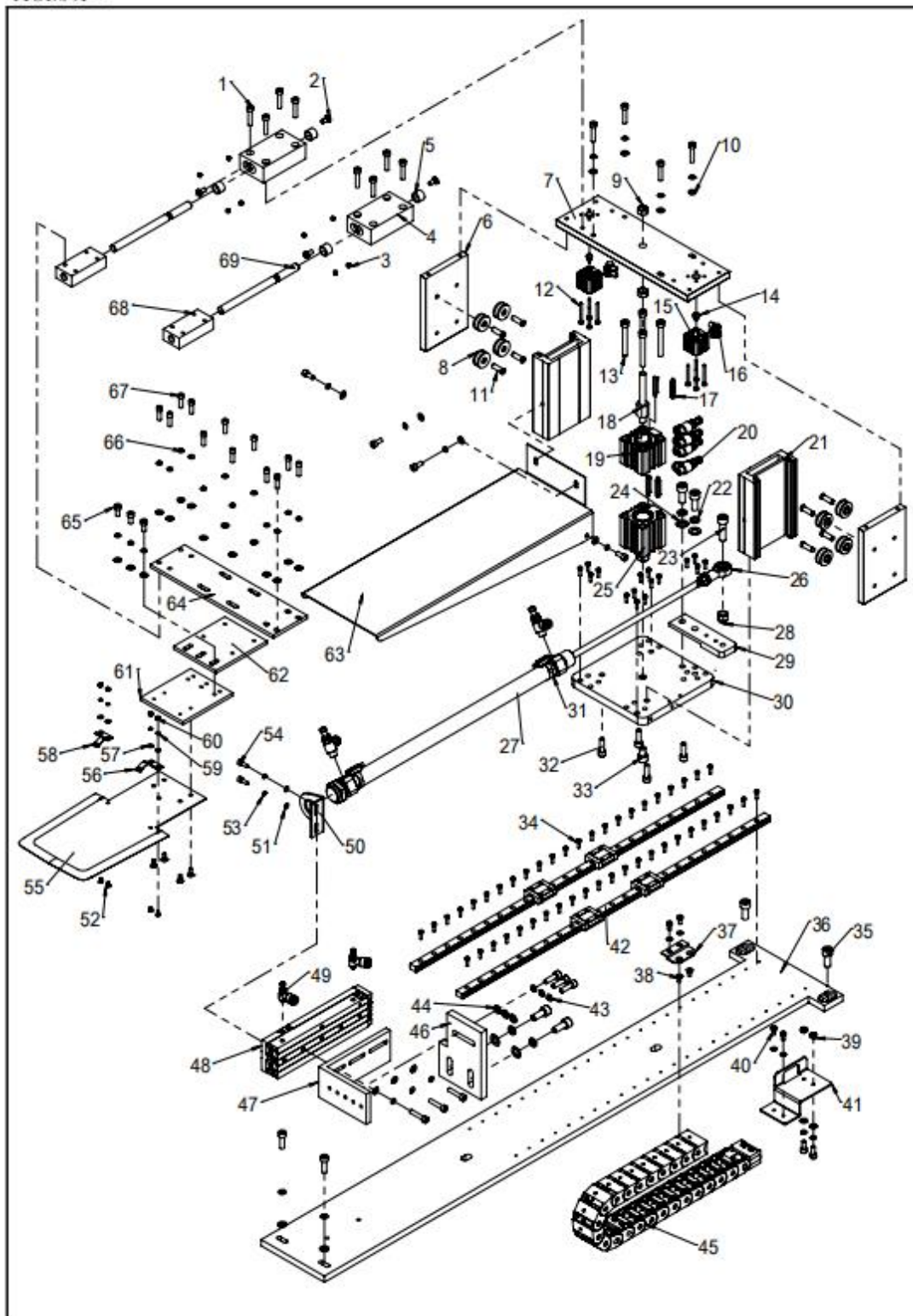


Pocket mold assembly 2

S/N	Material No.	Part No.	Name	NAME OF PARTS	Qty
1	30030920	01-505002524-6	Hex socket head cap screw M5x25		15
2	30005106	01-405001023-1	Phillips/slotted pan head screw M5x10		4
3	30005311	01-805000414-1	Hex flat end set screw M5x4		8
4	30043128	502.23-06	Coupling base		2
5	30042331		Graphite copper sleeve 10x14x10		4
6	30043125	502.23-10	Slide plate		2
7	30043124	502.23-11	Cylinder lifting plate		1
8	30041139	14-sG66	sG66 bearing		8
9	30036184	03-608000650-6	Hex nut M8		2
10	30036241	05-053101000-3	Flat washer 5.3x1x10		28
11	30039728		Bearing screw pin M6 with SG66		8
12	30021645	01-503003024-6	Hex socket head cap screw M3x30		8
13	30043227	01-506005024-6	Hex socket head cap screw M6x50		4
14	30043126	502.23-09	<b>Support block</b>		2
15	30042172	71-ACQ12x5	AC012x5 cylinder		2
16	30028711	72-M-5HL-4	Metal elbow		4
17	30042194	CMSG-020	Spring-loaded sensor		4
18	30043123	502.23-12	Lifting shaft		1
19	30044324	71-ACQ32x5S	Ultra-thin multiplexing mold push cylinder 1		1
20	30042191	30042191	PsL601A-s Speed control valve		6
21	30043129	502.23-05	Guide rail		2
22	30005773	07-0812121-1	Elastic washer 8.1x2.1x2.1		4
23	30034666	01-508003024-6	Hex socket head cap screw M8x30		1
24	30036253	05-084161600-3	Washer 8.5x1x14		4
25	30044325	71-ACQ32x15S	Ultra-thin multiplexing mold push cylinder 2		1
26	30044334		Fisheye connector F-M8x125U		1
27	30042171	71-MIC20x350SCM	Cylinder		1
28	30037237	03-608001102-3	Hex nut M8		1
29	30045145	502.23-18	Connection block		1
30	30043130	502.23-04	Cylinder junction plate		1
31	30042193	Cs1-M	Sensor		2
32	30044616	01-506002024-3	Hex socket head cap screw M6x20		9
33	30036043	01-508001224-6	Hex socket head cap screw		1
34	30044603	01-503001024-3	Hex socket head cap screw M3x10		62
35	30037162	01-508002024-3	Hex socket head cap screw M8x20		6
36	30054130	502.53-02	Mold extension substrate		1
37	30054132	502.53-04	Fix board		1

38	30037199	01-104001022-4	Cross recessed countersunk screw M4x10		6
39	30036095	03-605000500-4	Hex nut M5		2
40	30030912	01-504000824-6	Hex socket head cap screw M4x8		4
41	30047362	502.23-24	Tow chain seat (low)		1
42	30054129	502.53-01-00	Guide rail assembly		2
43	30036188	07-0631616-6	Elastic washer 6.3x1.6x1.6		5
44	30037255	05-065101300-3	Flat washer 6.4x1.6x12		5
45	30044472		Tow chain J15BF.1.30N		1
46	30054134	502.53-06	Longitudinal adjustment base for secondary cylinder		1
47	30054133	502.53-05	Transverse adjustment base for secondary cylinder		1
48	30051908		Chenfeng standard cylinder MXS12X50		1
49	30028308		AirTAC speed control valve PSL6-M5A		2
50	30028573	F-MI20LB	AirTAC axial holder		1
51	30036196	05-042030900-6	Flat washer 4.2x0.3x9		6
52	30005038	01-103000622-3	Cross recessed countersunk screw M3x6		4

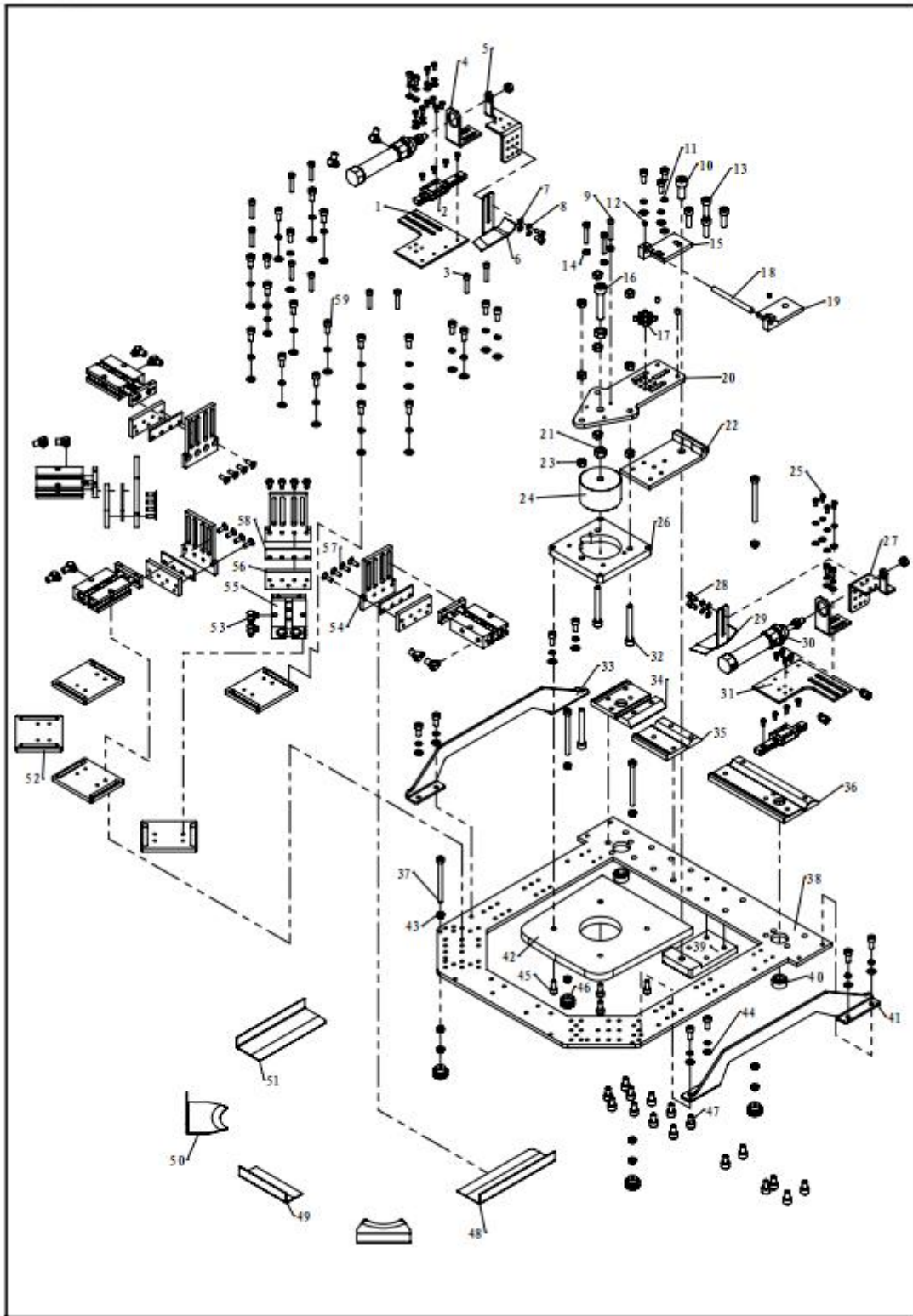
Pocket mold assembly 3



Pocket mold assembly 4

S/N	Material No.	Part No.	Name	NAME OF PARTS	Qty
53	30036187	07-0421111-6	Elastic washer 4.2×1.1×1.1		2
54	30045212	01-504001224-3	Hex socket head cap screw M4×12		2
55	30044832	502.28-25	Jiale JP-L pocket mold		1
56	30044177	502.20-24	Spacer (right)		1
57	30005615	05-032050700-4	Flat washer 3.2×0.5×7		4
58	30044171	502.20-25	Spacer (left)		1
59	30036191	07-0310808-3	Elastic washer 3.1×0.8×0.8		4
60	30005547	03-603000240-3	Hex nut M3		4
61	30044377	502.23-22	Shaping plate junction plate		1
62	30044377	502.23-21	Shaping plate adjustment plate		1
63	30042401	502.27-14	Shaping cover		1
64	30044358	502.28-19	Shaping plate substrate		1
65	30037154	01-505001224-3	Hex socket head cap screw M5×12		9
66	30033908	07-0521313-6	Spring washer 5.2×1.3×1.3		28
67	30037155	01-505001624-3	Hex socket head cap screw M5×16		12
68	30043127	502.23-07	Connector base B		2
69	30043122	502.23-13	Locking pin		2

Folder assembly 1

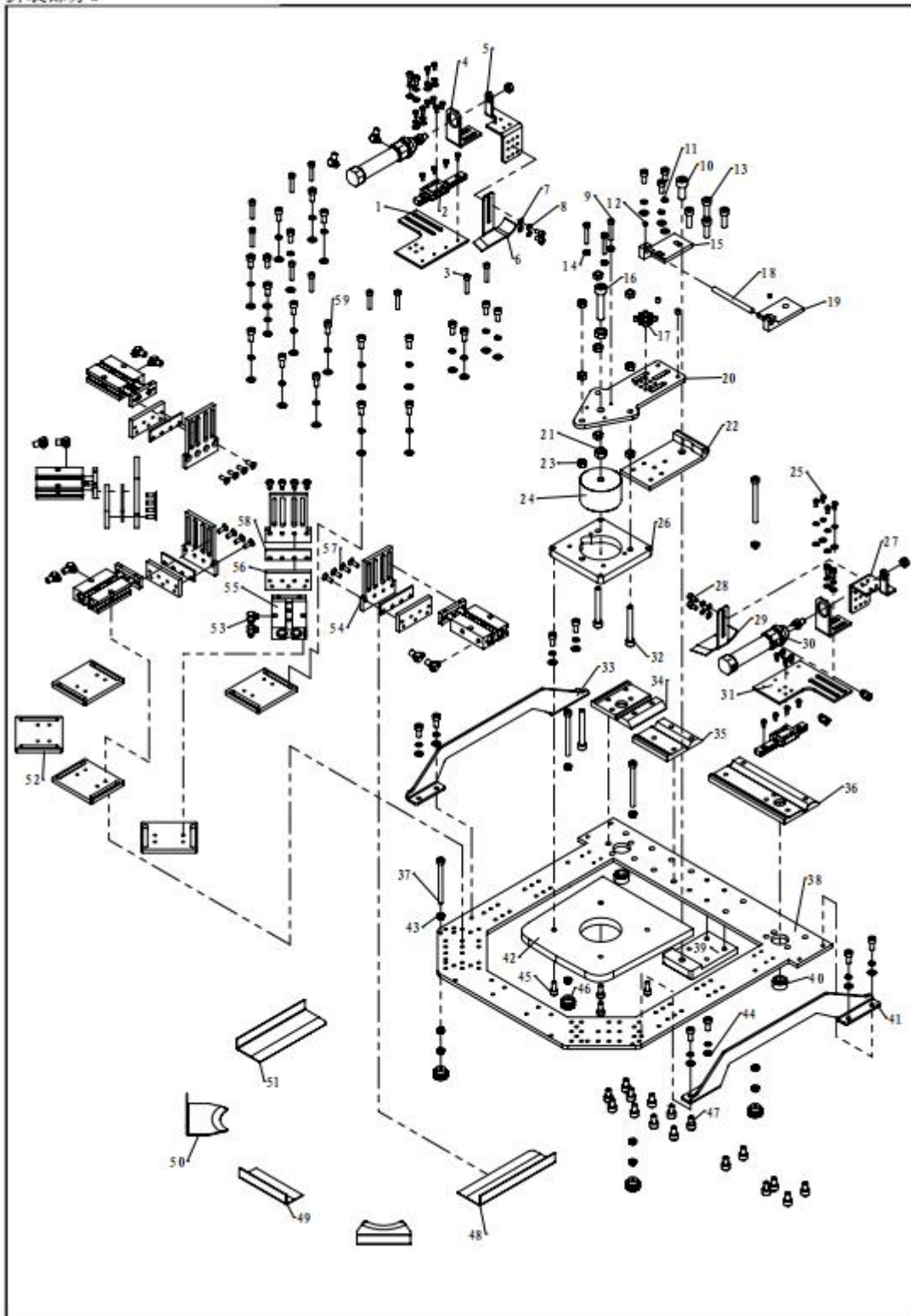


## Folder assembly 2

S/N	Material No.	Part No.	Name	NAME OF PARTS	Qty
1	30044167	502.40-43	Corner blade fix board		1
2	30044337	502.19-53-00	Angle folding guide rail assembly		2
3	30044607	01-504002224-3	Hex socket head cap screw M4×22		10
4	30044168	502.40-44	Cylinder base		2
5	30044172	502.40-41	Slide plate (right)		1
6	30044159	502.40-49	Angle blade (left)		1
7	30036196	05-042030900-6	Flat washer 4.2×0.3×9		16
8	30036187	07-0421111-6	Elastic washer 4.2×1.1×1.1		16
9	30030915	01-504002524-6	Hex socket head cap screw M4×25		3
10	30037162	01-508002024-3	Hex socket head cap screw M8×20		1
11	30033908	07-0521313-6	Spring washer 5.2×1.3×1.3		31
12	30005299	01-804000414-1	Hex recessed set screw M4×4		2
13	30044616	01-506002024-3	Hex socket head cap screw M6×20		4
14	30036178	03-604000300-6	Hex nut M4		3
15	30058024	502.52-09	Cover base (left)		1
16	30036107	01-508004024-6	Hex socket head cap screw M8×40		1
17	30005316	01-805000614-1	Hex recessed set screw		11
18	30058027	502.52-12	Cover shaft		1
19	30054122	502.52-02	Folding substrate junction plate		1
20	30044364	502.28-42	Connection-type substrate		1
21	30036184	03-608000650-6	Hex nut M8		2
22	30054122	502.52-02	Folding substrate junction plate		1
23	30036182	03-606000500-6	Hex nut M6		11
24	30042574		Electromagnet TAU5035ZP		1
25	30044580	01-503000624-3	Hex socket head cap screw M3×6		24
26	30044699	502.28-11	Sharp corner pressure plate		1
27	30044173	502.40-42	Corner slide plate (left)		1
28	30030912	01-504000824-6	Hex socket head cap screw M4×8		8
29	30044165	502.40-48	Angle blade (right)		1
30	30044144	71-MI16×30sU	MI16×30sU cylinder		2
31	30054128	502.52-08	Corner blade Fix board		1
32	30043227	01-506005024-6	Hex socket head cap screw M6×50		3
33	30044356	502.28-04	Left handle		1
34	30054114	502.51-07-01	V-shaped positioning block Y (bottom)		1
35	30054116	502.51-08-01	V-shaped positioning block x (bottom left)		1
36	30054118	502.51-09-01	V-shaped positioning block x (bottom right)		1
37	30044585	01-505006024-3	Hex cylindrical head nickel-plated screw M5×60		4
38	30054127	502.52-07	Folding substrate		1
39	30058026	502.52-11	Cover base		1
40	30040606		Riveting nut type B M10×50×40		2

41	30044357	502.28-05	Right handle		1
42	30044840	502.40-55	Folding pressure plate		1
43	30036095	03-605000500-4	Hex nut M5		12
44	30036241	05-053101000-3	Flat washer 5.3×1×10		31
45	30030917	01-505001224-6	Hex socket head cap screw M5×12		4
46	30043703		Adjusting knob M5		4
47	30030922	01-506001224-6	Hex socket head cap screwM6×12		16
48	30045920	502.40-87-02	Right folding blade (40 wide)		1
49	30044365	502.28-46	Left and right folding blades		1
50	30045849	502.40-107-01	Round corner folding blade		2
51	30045919	502.40-87-01	Left folding blade (40 wide)		1
52	30054126	502.52-06	Junction plate		5

Folder assembly 3

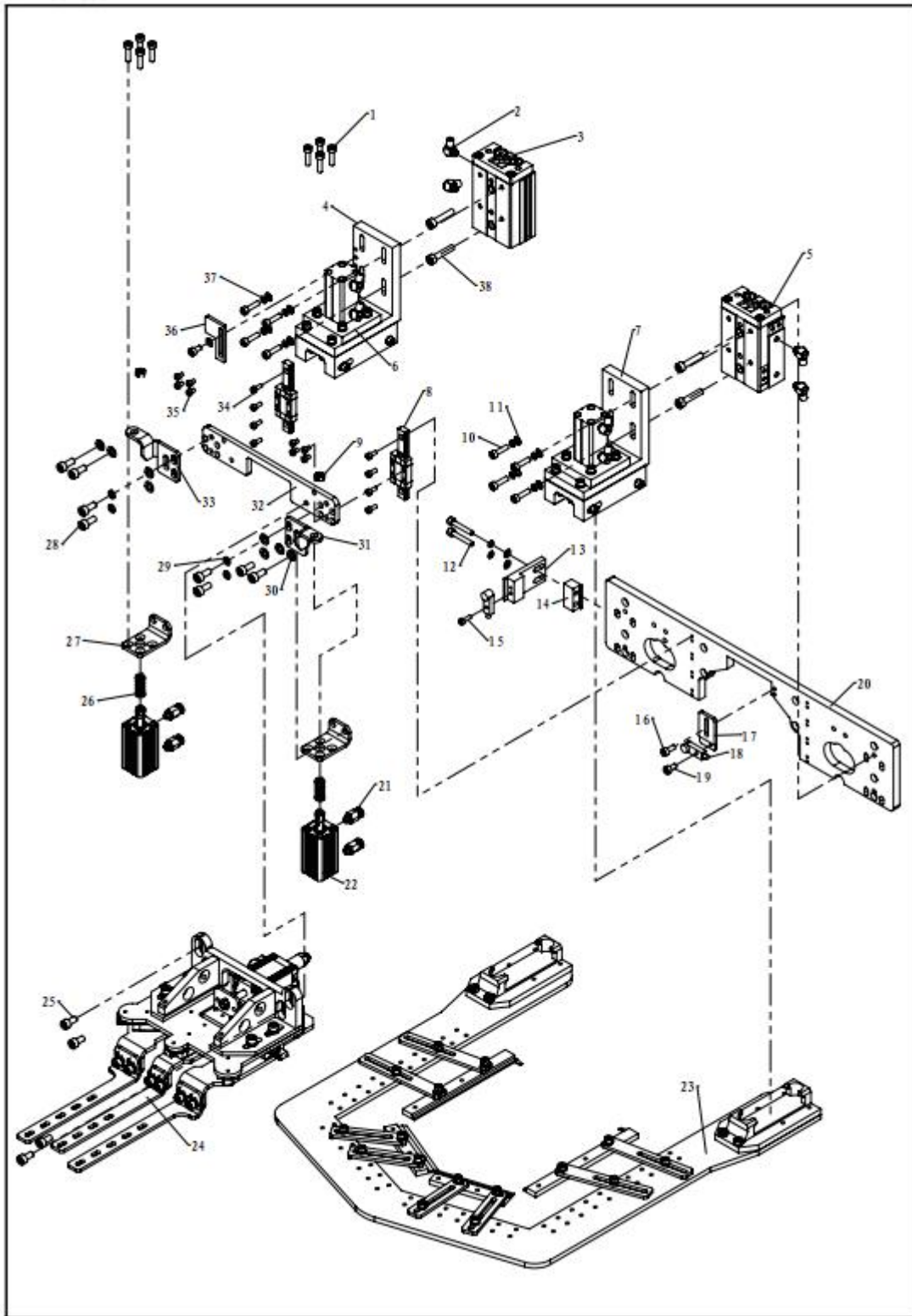




Folder assembly 4

S/N	Material No.	Part No.	Name	NAME OF PARTS	Qty
53	30028711	72-M-5HL-4	Metal elbow		14
54	30054124	502.52-04	Front folding blade fixture		5
55	30040312	71-TN10X10-S	71-TN10x10 cylinder		5
56	30043590	502.28-24	Front folding blade spacer		5
57	30036159	01-104001224-6	Countersunk allen screw M4x12		20
58	30044359	502.28-26	Front folding blade packing sheet		5
59	30030917	01-505001224-6	Hex socket head cap screw M5x12		31

Feeding&fetching assembly 1

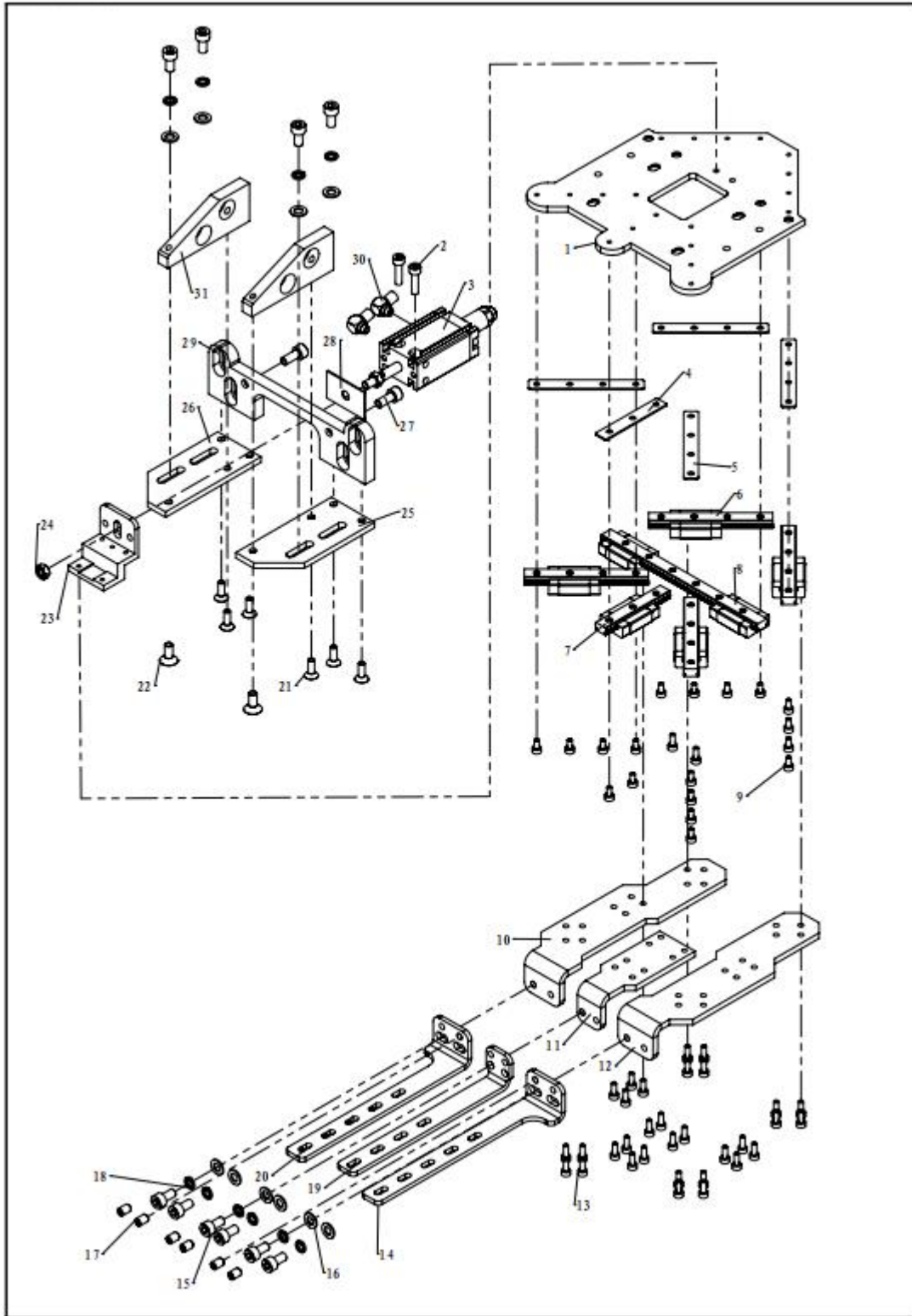


## Feeding&amp;fetching assembly 2

S/N	Material No.	Part No.	Name	NAME OF PARTS	Qty
1	30036230	01-504001624-3	Hex socket head cap screw		8
2	30028711	72-M-5HL-4	72-M-5HL-4Metal elbow		4
3	30058005		Chenfeng symmetrica MXS12-30 slide cylinder		1
4	30054187	502.58-16	Slide cylinder rack (left)		1
5	30058004		Chenfeng standard MXS12-30 slide cylinder		1
6	20005267		Mold clamping assembly HAT-K4		2
7	30054188	502.58-17	Slide cylinder rack (right)		1
8	30058000	502.58-31-00	8-hole guide rail assembly LRM9N-155		2
9	30036095	03-605000500-4	Hex nut M5		2
10	30030914	01-504001624-6	Hex socket head cap screw M4×16		8
11	30036196	05-042030900-6	Flat washer 4.2×0.3×9		11
12	30030915	01-504002524-6	Hex socket head cap screw M4×25		2
13	30058008	502.58-35	Y-sensor support block		1
14	30058007	502.58-34	Y sensor mounting block		1
15	30044603	01-503001024-3	Hex socket head cap screw M3×10		1
16	30044605	01-504001024-3	Hex socket head cap screw M4×10		1
17	30045757	502.20-07-30	Sensor piece		1
18	30028701	30028701	Proximity sensor (GX-F8A)		2
19	30030912	01-504000824-6	Hex socket head cap screw M4×8		2
20	30054195	502.58-24	Slide cylinder mounting plate		1
21	30048299	PC4-m5	Gas coupler		4
22	30042179	71-ACQ12×30B	Cylinder		2
23	30058003	502.58-33	Main frame		1
24	20005221	502.JC20-03	Material-taking inner pressure foot		1
25	30044610	01-505001024-3	Hex socket head cap screw M5×10		4
26	30058006		Inner frame spring		2
27	30042066	502.20-03	Cylinder top plate		2
28	30037154	01-505001224-3	Hex socket head cap screw M5×12		8
29	30033908	07-0521313-6	Spring washer 5.2×1.3×1.3		4
30	30036241	05-053101000-3	Flat washer 5.3×1×10		10

31	30054191	502.58-20	Right drive frame		1
32	30054192	502.58-21	Fix board for contraction motion		1
33	30054190	502.58-19	Left drive frame		1
34	30044602	01-503000824-3	Hex socket head cap screw M3×8		8
35	30044601	01-503000524-3	Hex socket head cap screw M3×5		8
36	30054189	502.58-18	Sensor sheet		1
37	30036187	07-0421111-6	Elastic washer 4.2×1.1×1.1		10
38	30030920	01-505002524-6	Hex socket head cap screw M5×25		4

Inner pressure foot 1

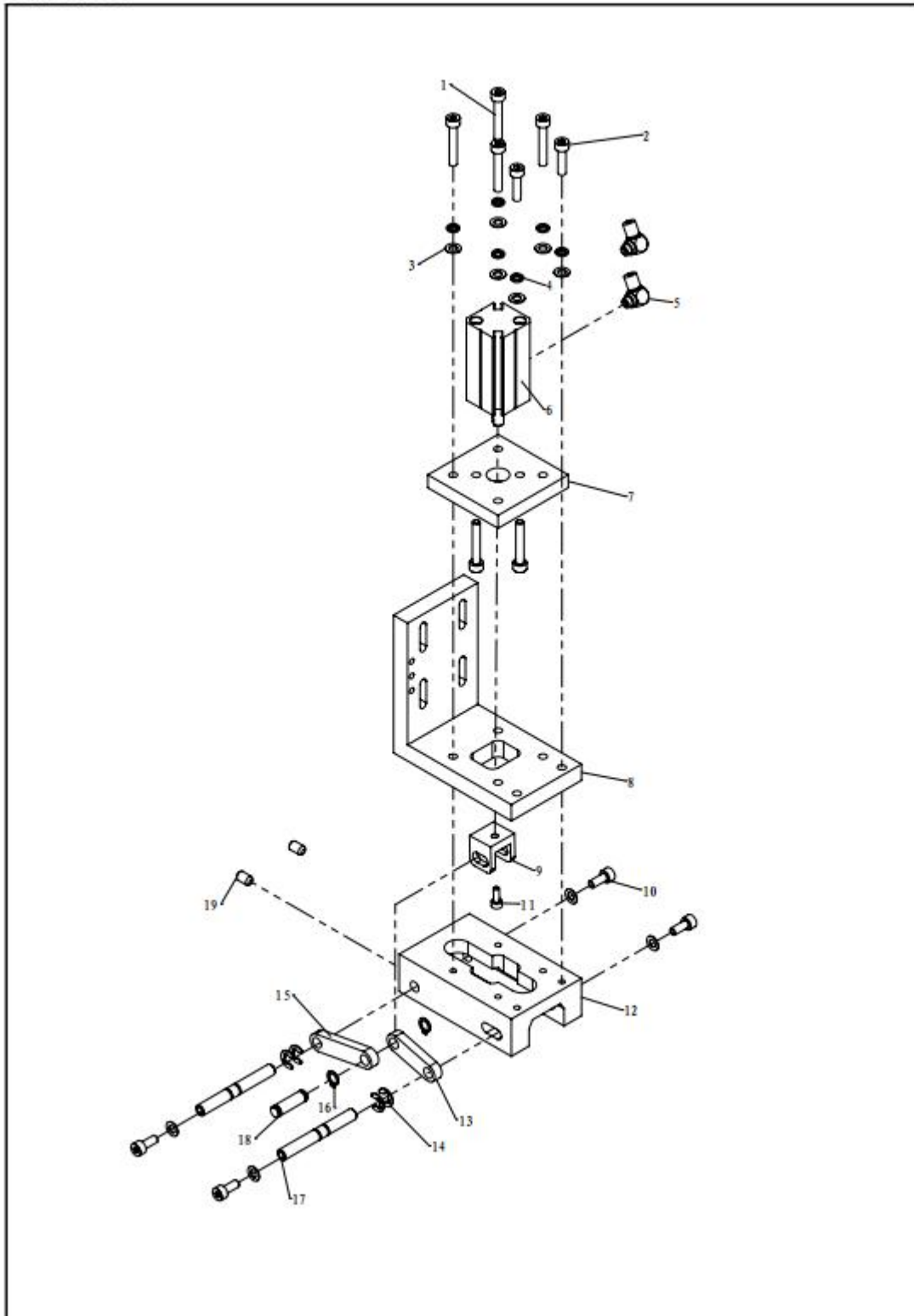


Inner pressure foot 2

S/N	Material No.	Part No.	Name	NAME OF PARTS	Qty
1	30054177	502.58-06	Telescopic substrate		1
2	30036230	01-504001624-3	Hex socket head cap screw		2
3	30042180	71-MDJ16x15-10	Cylinder		1
4	30054199	502.58-28	Guide rail gasket 2		1
5	30058002	502.58-29	Guide rail gasket 1		4
6	30054193	502.58-22-00	Guide rail assembly 3LRM9N-75		4
7	30058001	502.58-30-00	3-hole guide rail assembly LRM9N-55		1
8	30058000	502.58-31-00	8-hole guide rail assembly LRM9N-155		1
9	30022340	01-503000524-1	Hex socket head cap screwM3×6		18
10	30054184	502.58-13	Guide rail slide (left)		1
11	30054183	502.58-12	Cylinder push plate		1
12	30054185	502.58-14	Guide rail slide (right)		1
13	30044602	01-503000824-3	Hex socket head cap screw M3×8		34
14	30054174	502.58-03	Right split frame		1
15	30044610	01-505001024-3	Hex socket head cap screw M5×10		10
16	30036241	05-053101000-3	Flat washer 5.3×1×10		10
17	30005320	01-805000814-1	Hex recessed set screw		6
18	30033908	07-0521313-6	Spring washer 5.2×1.3×1.3		10
19	30054173	502.58-02	Central pressure plate		1
20	30054174	502.58-03	Left split frame		1
21	30036159	01-104001224-6	Countersunk allen screw M4×12		6
22	30047406	01-105001224-6	Countersunk allen screw M5×12		2
23	30054182	502.58-11	Separate rail connection		1
24	30036095	03-605000500-4	Hex nut M5		1
25	30054179	502.58-08	Adjustment junction plate (right)		1
26	30054178	502.58-07	Adjustment junction plate (left)		1
27	30037154	01-505001224-3	Hex socket head cap screw M5×12		2
28	30059938	502.58-37	Stainless steel cylinder pad		1

29	30054181	502.58-10	Substrate connector		1
30	30028711	72-M-5HL-4	Metal elbow		2
31	30054180	502.58-09	Telescopic stiffener		2

Mold clamping assembly 1

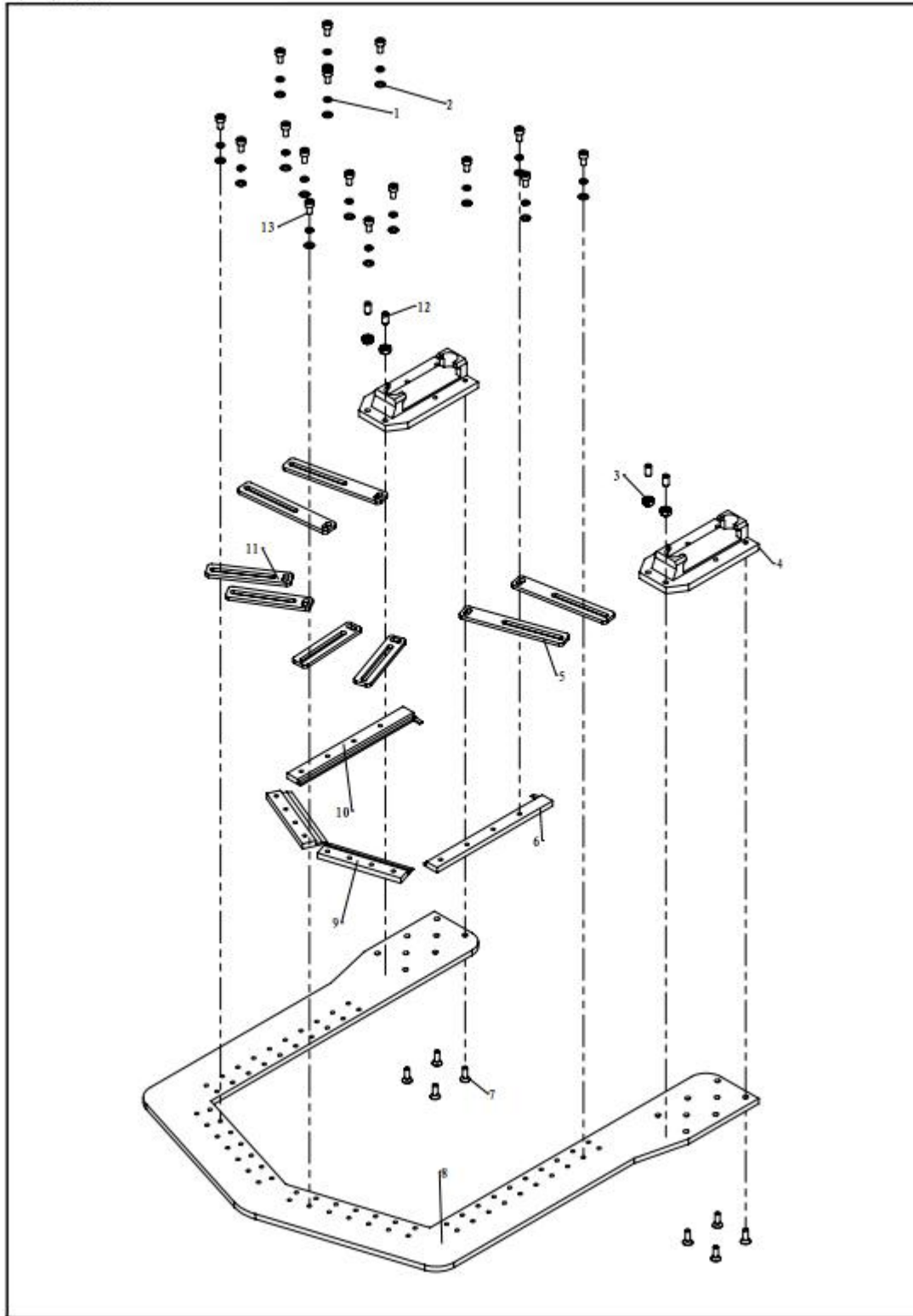




Mold clamping assembly 2

S/N	Material No.	Part No.	Name	NAME OF PARTS	Qty
1	30030915	01-504002524-6	Hex socket head cap screw M4x25		6
2	30030914	01-504001624-6	Hex socket head cap screw M4x16		2
3	30036196	05-042030900-6	Flat washer 4.2x0.3x9		10
4	30036187	07-0421111-6	Elastic washer 4.2x1.1x1.1		6
5	30028711	72-M-5HL-4	Metal elbow		2
6	30040222	71-ACQ12×20-S	Cylinder		1
7	30058009	502.58-32	Cylinder fix board		1
8	30054187	502.58-16	Slide cylinder support (left)		1
9	30042058	502.20-01-03	Y-shaped cylinder connector		1
10	30044605	01-504001024-3	Hex socket head cap screw M4x10		4
11	30044602	01-503000824-3	Hex socket head cap screw M3x8		1
12	30054186	502.58-15	Upper seat of mold plate		1
13	30042062	502.20-01-07	Angle support		1
14	30005751	06-0500810-1	Open retaining ring 5x0.8		4
15	30042064	502.20-01-09	Long angle support		1
16	30005793	10-0560612-1	Elastic shaft ring		2
17	30042061	502.20-01-06	Long shaft pin		2
18	30042063	502.20-01-08	Short shaft pin		1
19	30005320	01-805000814-1	Hex recessed set screw		2

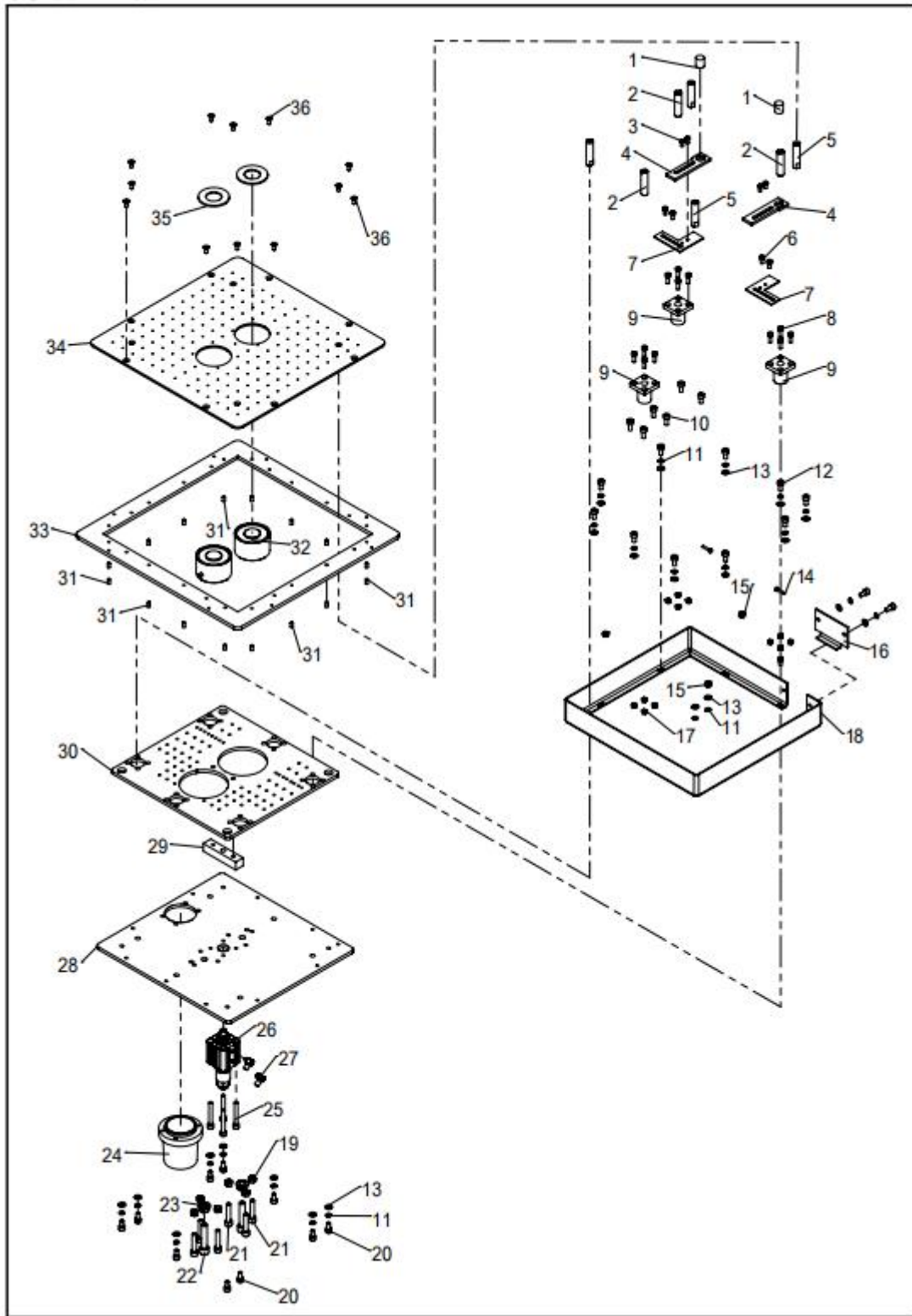
Outer pressure frame assembly 1



Outer frame assembly 2

S/N	Material No.	Part No.	Name	NAME OF PARTS	Qty
1	30036187	07-0421111-6	Elastic washer 4.2x1.1x1.1		16
2	30036196	05-042030900-6	Flat washer 4.2x0.3x9		16
3	30036095	03-605000500-4	Hex nut M5		4
4	30058010	502.58-36	Lower mold seat		2
5	30045752	502.20-14-08	Bumper junction plate (long)		4
6	30043857	502.20-10-08	Right bezel		1
7	30036157	01-104001024-1	Countersunk allen screw M4x10		8
8	30058003	502.58-33	Main frame		1
9	30042091	502.20-10-10	Front bezel		2
10	30042090	502.20-10-09	Left bezel		1
11	30042089	502.20-11	Bumper junction plate		4
12	30005324	01-805001014-1	Hex recessed set screw		4
13	30030912	01-504000824-6	Hex socket head cap screw M4x8		16

Supporting suction box assembly 1

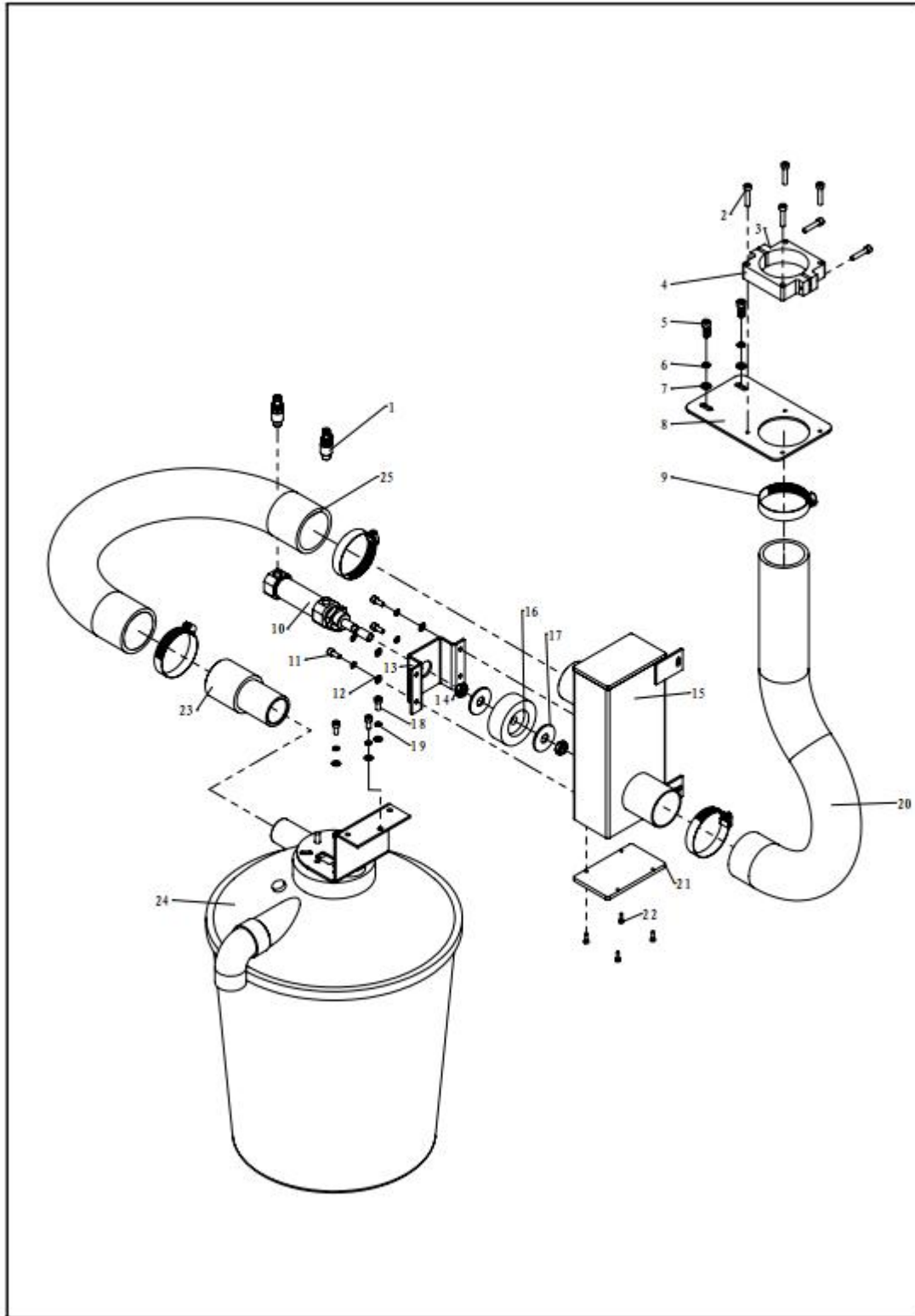


## Supporting suction box assembly 2

S/N	Material No.	Part No.	Name	NAME OF PARTS	Qty
1	30054139	502.54-05	Piston rod		2
2	30054137	502.54-03	Support rod		3
3	30005060	01-304000824-1	Hex screw M4×8		4
4	30054138	502.54-04	Hair collector plate		2
5	30042569	502.22-01	Support rod		4
6	30030912	01-504000824-6	Hex socket head cap screw M4×8		5
7	30054140	502.54-06	Hair collector plate2		2
8	30045212	01-504001224-3	Hex socket head cap screw M4×12		12
9	30046045	4-LMK10UU	Straight line bearing		3
10	30030917	01-505001224-6	Hex socket head cap screw M5×12		4
11	30033908	07-0521313-6	Spring washer 5.2×1.3×1.3		22
12	30044610	01-505001024-3	Hex socket head cap screw M5×10		12
13	30036241	05-053101000-3	Flat washer 5.3×1×10		22
14	30005143	01-503001424-1	Hex socket head cap screw M3×14		2
15	30036095	03-605000500-4	Hex nut M5		3
16	30044437	502.22-08	Compensation plate for negative pressure box		1
17	30036178	03-604000300-6	Hex nut M4		12
18	30044438	502.22-09	Negative pressure box		1
19	30036182	03-606000500-6	Hex nut M6		6
20	30030916	01-505001024-6	Hex socket head cap screw M5×10		12
21	30033910	01-506003024-6	Hex socket head cap screw M6×30		6
22	30036107	01-508004024-6	Hex socket head cap screw M8×40		2
23	30042286	03-608000700-2	Flange nut		2
24	30045793	502.22-18	Blower connector		1
25	30044613	01-505003824-6	Hex socket head cap screw M5×38		4
26	30042491	71-ACQJ20×10-10B	Cylinder		1
27	30028711	72-M-5HL-4	Metal elbow		2
28	30054141	502.54-07	Fix board		1

29	30046231	502.22-28	Connector		1
30	30054136	502.54-02	Top plate		1
31	30005320	01-805000814-1	Hex recessed set screw		16
32	30042574		Electromagnet TAU5035ZP		2
33	30058044	502.54-08	Fix board		1
34	30054135	502.54-01	Lifting substrate		1
35	30045932	502.22-20	Electromagnet gasket		2
36	30036157	01-104001024-1	Countersunk allen screw M4×10		12

Suction air box 1

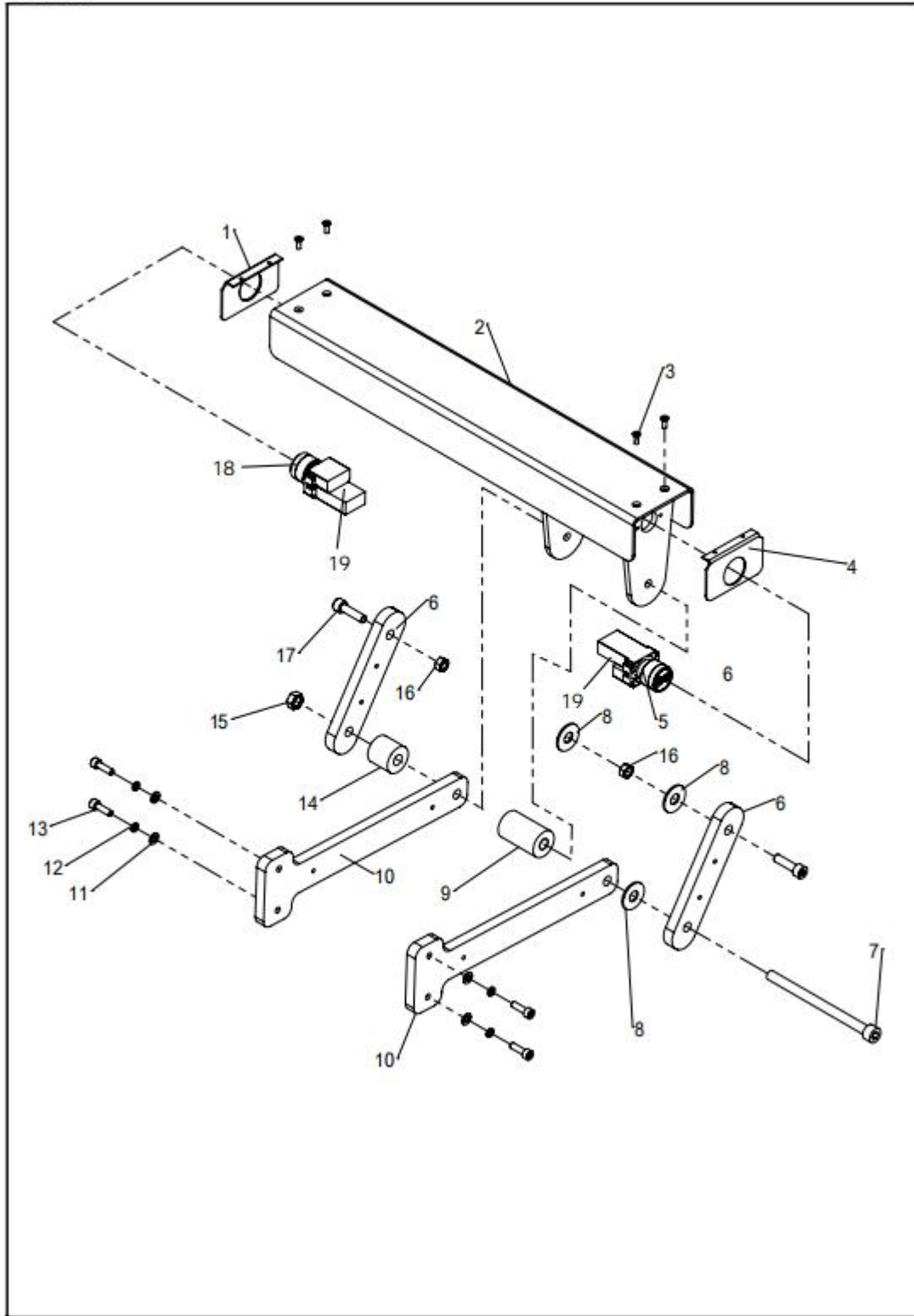


## Suction air box 2

S/N	Material No.	Part No.	Name	NAME OF PARTS	Qty
1	30042191	PSL601A	Speed control valve		2
2	30030920	01-505002524-6	Hex socket head cap screw M5x25		6
3	30044698	502.24-07	Pipe strap B		1
4	30044700	502.24-06	Pipe strap A		1
5	30036101	01-506001624-3	Hex socket head cap screw M6x16		2
6	30036188	07-0631616-6	Elastic washer 6.3x1.6x1.6		2
7	30037255	05-065101300-3	Flat washer 6.4x1.6x12		2
8	30044817	502.24-05	Pipe rack		1
9	30042201		Clamp 51-70mm width 12.7mm		4
10	30054240	71-MI25×35U	Cylinder		1
11	30030917	01-505001224-6	Hex socket head cap screw M5x12		4
12	30036241	05-053101000-3	Flat washer 5.3x1x10		7
13	30042328	502.24-02	Cylinder flange		1
14	30029117	03-610130600-3	Thin hex nut M10x1.25		2
15	30054142	502.55-01-00B	Suction air box		1
16	30054146	502.55-05	PU rod		1
17	30054147	502.55-06	Large washer 10x35x2.5		2
18	30037154	01-505001224-3	Hex socket head cap screw M5x12		3
19	30033908	07-0521313-6	Spring washer 5.2x1.3x1.3		7
20	30042344		PVC steel wire pipe (0.6m)		1
21	30054144	502.55-03B	Lower cap		1
22	30044603	01-503001024-3	Hex socket head cap screw M3x10		4
23	30045437	502.24-08	Blower connector		1
24	30043702		GE102-2-BL Moyakawa suction fan		1
25	30042344	30042344	PVC steel wire pipe		1



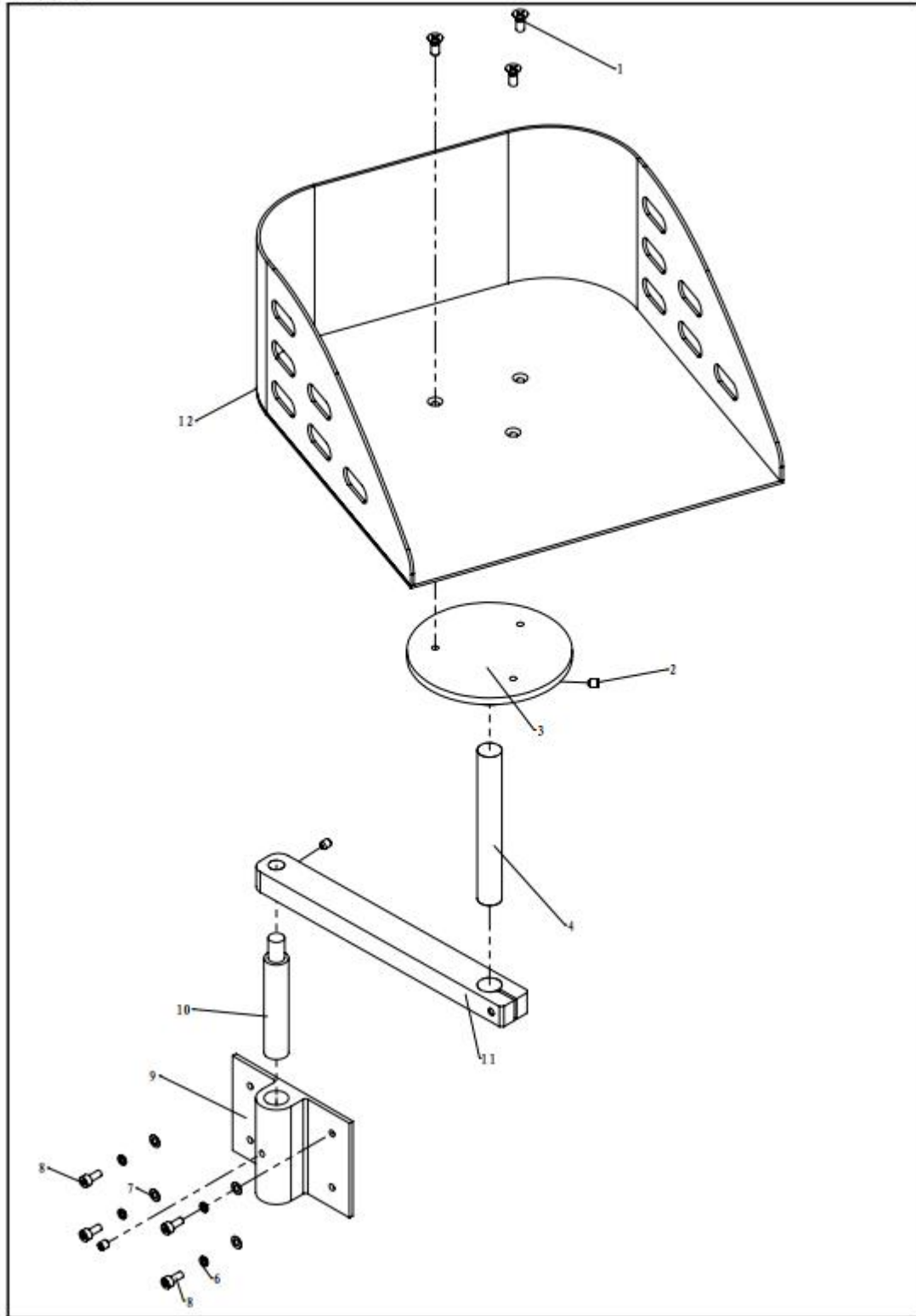
Discharging mechanism 1



## Discharging mechanism 2

S/N	Material No.	Part No.	Name	NAME OF PARTS	Qty
1	30058020	502.56-08B	Side box (right)		1
2	30054148	502.56-01	Support box		1
3	30036157	01-104001024-1	Countersunk allen screw M4x10		4
4	30054149	502.56-02	Side cover		1
5	30047236	SR-ZB2-BS54C	Schneider emergency stop /red pushbutton		1
6	30054151	502.56-04	Support plate		2
7	30058022	01-510014024-3	Hex socket head cap screwM10×140		1
8	30058021	502.56-09	Shaft bushing		3
9	30054152	502.56-05	Shaft bushing		1
10	30058018	502.56-07	Fix board		2
11	30037255	05-065101300-3	Flat washer 6.4x1.6x12		4
12	30036188	07-0631616-6	Elastic washer 6.3x1.6x1.6		4
13	30044616	01-506002024-3	Hex socket head cap screw M6x20		4
14	30054153	502.56-06	Shaft bushing		1
15	30036175	03-610000700-6	Hex nut M10		1
16	30036184	03-608000650-6	Hex nut M8		2
17	30034666	01-508003024-6	Hex socket head cap screwM8x30		2
18	30044500	SR-XB2BA31C	Switch/button/green XB2BA31C		1
19	30044497	SR-ZB2-BE101C	Button contact		2

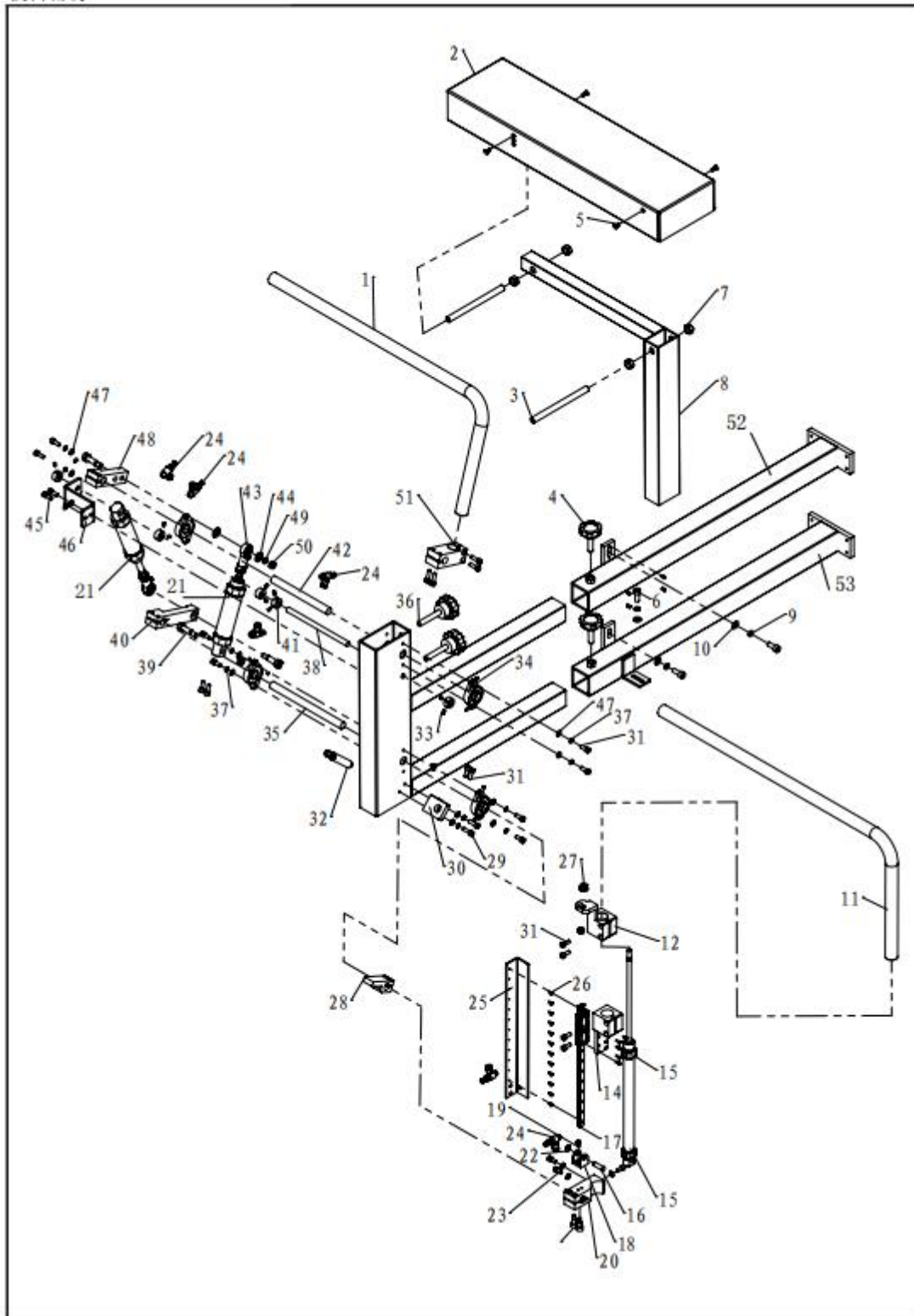
Hopper assembly 1



## Hopper assembly 2

S/N	Material No.	Part No.	Name	NAME OF PARTS	Qty
1	30037203	01-105001222-3	Cross recessed countersunk screwM5×12		3
2	30005316	01-805000614-1	Hex recessed set screwM5×6		3
3	30030279	502.02-15B	Connector		1
4	30054090	502.50-05	Long pin		1
5	30036101	01-506001624-3	Hex socket head cap screwM6×16		1
6	30036187	07-0421111-6	Spring washer4.2×1.1×1.1		4
7	30036196	05-042030900-6	Washer4.2×0.3×9		4
8	30044605	01-504001024-3	Hex socket head cap screwM4×10		4
9	30058065	502.50-38B	Mount		1
10	30054086	502.50-02	Long pin		1
11	30054089	502.50-04	Connection rod holder		1
12	30054088	502.50-03-00B	Discharge box assembly		1

Stacker assembly 1.

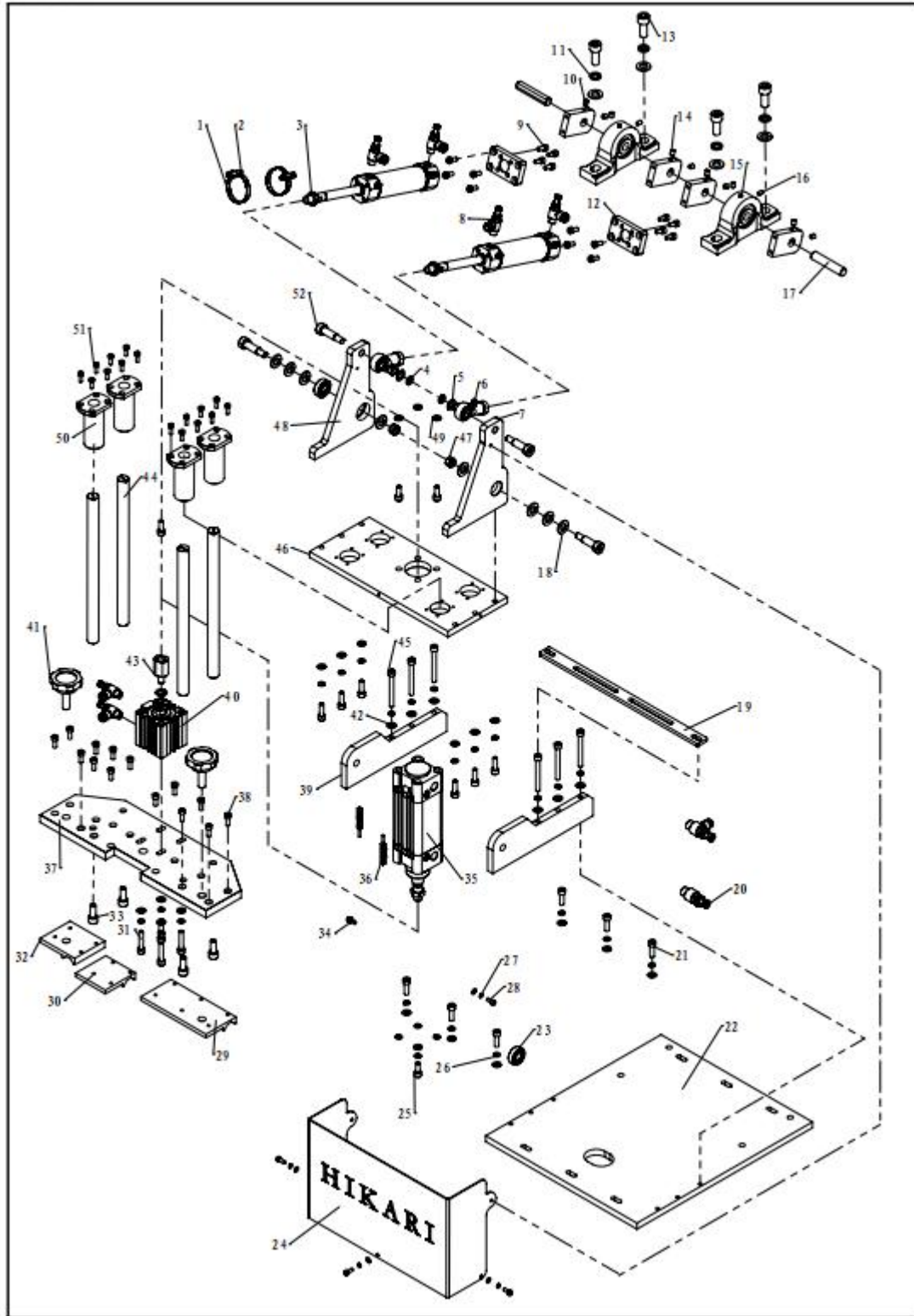


## Stacker assembly 2

S/N	Material No.	Part No.	Name	NAME OF PARTS	Qty
1	30054162	502.57-08	Stacker's lower clamp rod 1		1
2	30054155	502.57-01	Stacker seat		1
3	30045265	502.29-07	Set screw M12×200		2
4	30040607		Star knob M10-40		2
5	30037203	01-105001222-3	Cross recessed countersunk screw M5×12		4
6	30037162	01-508002024-3	Hex socket head cap screw M8×20		4
7	30037234	03-612000800-4	Hex nut M12		4
8	30045441	502.29-03	Telescopic pole		1
9	30036189	07-0812121-6	Elastic washer8.1×2.1×2.1		4
10	30036253	05-084161600-3	Washer 8.5×1×14		4
11	30054163	502.57-09	Long stir rod		1
12	30054164	502.57-10	Securing connector		1
13	30044602	01-503000824-3	Hex socket head cap screw M3×8		8
14	30044697	502.29-08	Stacker Connection block		1
15	30054241		Cylinder MI20×200sCA		1
16	30057988	502.57-21	Stacker cylinder fixed shaft		1
17	30057988	502.57-18-00	Guide rail assembly LRM12N		1
18	30054165	502.57-11	Cylinder retaining block		1
19	30044609	01-505000824-6	Hex socket head cap screw M5×8		2
20	30054167	502.57-13	Stacker connector		1
21	30054242	MFC32×60CA	Reactive cylinder with reactive buffer		2
22	30005794	10-0740812-1	Elastic ring 7.4×0.8×12 for shaft		1
23	30030922	01-506001224-6	Hex socket head cap screwM6×12		3
24	30042191	PsL601A-s	Speed control valve		6
25	30054168	502.57-14	Guide rail plate		1
26	30044580	01-503000624-3	Hex socket head cap screwM3×6		12
27	30036184	03-608000650-6	Hex nutM8×6.5		1
28	30057993	502.57-26	Retaining block		1

29	30044616	01-506002024-3	Hex socket head cap screw M6×20		8
30	30057989	502.57-23	Oil pressure buffer mount		1
31	30036101	01-506001624-3	Hex socket head cap screw M6×16		16
32	30057990	502.57-20	Adjustable oil shock absorber M14×10		1
33	30005320	01-805000814-1	Hex recessed set screw		14
34	30044311		Pillow block bearing seat HBT15		4
35	30057992	502.57-25	Stacker rotation axis		1
36	30044312		Star knob M10-60		2
37	30036188	07-0631616-6	Elastic washer 6.3 × 1.6 × 1.		10
38	30054169	502.57-15	Cylinder fix shaft		1
39	30042198		Screw φ 10×25-M8		3
40	30054159	502.57-05	Stacker Connection block		1
41	30044816	502.29-13	Fastening ring		5
42	30057992	502.57-25	Stacker rotation axis		1
43	30042183		F-M10x125U Fisheye connector		2
44	30036202	05-105202000-6	Flat washer 10.5×2×20		2
45	30030923	01-506001624-6	Hex socket head cap screw M6×16		2
46	30054161	502.57-07	Cylinder shaft support plate		1
47	30037255	05-065101300-3	Flat washer 6×1.6×1.3		15
48	30054160	502.57-06	Stacker Connection block 2		1
49	30005773	07-0812121-1	Elastic washer 8.1×2.1×2.1		1
50	30036184	03-608000650-6	Hex nut M8		3
51	30057987	502.57-22	Clamping connection block		1
52	30060143	502.57-20-01B	Stacker mounting rod		1
53	30060138	502.57-16-01B	Stacker mounting rod		1

Lifter assembly 1



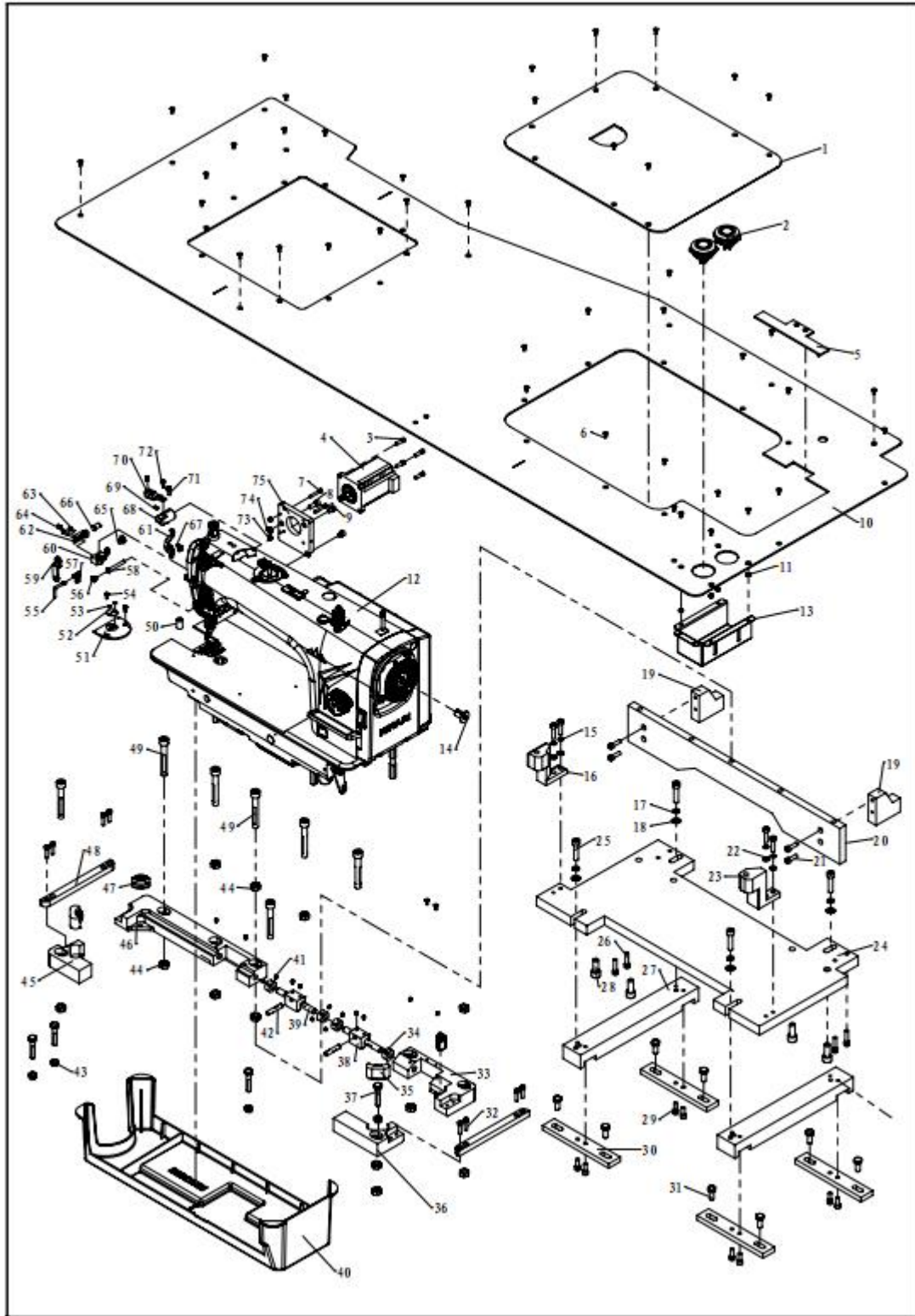


## Lifter assembly 2

S/N	Material No.	Part No.	Name	NAME OF PARTS	Qty
1	30044351	F-MQA32	Aluminum alloy round steel A32 sensor strap		2
2	30042194	CMsG-020	Reed type G-sensor		2
3	30044330	71-MGC32×75s	MGC32×75s standard cylinder		2
4	30005773	07-0812121-1	Elastic washer 8.1×2.1×2.1		4
5	30036253	05-084161600-3	Washer 8.5×1×14		3
6	30042183	F-M10X125U	Fisheye connector		2
7	30054110	502.51-03	Diagonal draw bar (right)		1
8	30042191	PSL601A	Speed control valve		6
9	30037154	01-505001224-3	Hex socket head cap screw M5×12		16
10	30045732	502.17-14	Cylinder support		4
11	30036072	07-1022626-6	Elastic washer 10.2×2.6×2.6		4
12	30045731	502.17-13	Cylinder base		2
13	30036119	01-510002524-6	Hex socket head cap screw M10×25		4
14	30005337	01-806000814-1	Hex recessed set screw M6×8		8
15	30045892		Ball-bearing sUCP201		2
16	30005320	01-805000814-1	Hex recessed set screw		4
17	30045733	502.17-15	Rotation pin		2
18	30036202	05-105202000-6	Flat washer 10.5×2×20		12
19	30059712	502.51-11	Positioning light adjustment plate		1
20	30042192	PSL602A	Speed control valve		2
21	30044616	01-506002024-3	Hex socket head cap screw M6×20		12
22	30043172	502.17-01	Flip substrate		1
23	30036050	14-6000-2RZ	Bearing		2
24	30054120	502.51-10	Lifter cover		1
25	30036101	01-506001624-3	Hex socket head cap screw M6×16		4
26	30036188	07-0631616-6	Elastic washer 6.3×1.6×1.6		26
27	30036187	07-0421111-6	Elastic washer 4.2×1.1×1.1		5
28	30044605	01-504001024-3	Hex socket head cap screw M4×10		5

29	30054119	502.51-09-02	V-shaped positioning block X upper right		1
30	30054117	502.51-08-02	V-shaped positioning block X upper left		1
31	30033910	01-506003024-6	Hex socket head cap screw M6×30		4
32	30054115	502.51-07-02	V-shaped positioning block Y (upper)		1
33	30037162	01-508002024-3	Hex socket head cap screw M8×20		4
34	30036196	05-042030900-6	Flat washer 4.2×0.3×9		5
35	30054244	71-SE40×50S	Lifting cylinder		1
36	30042195	CMSE-020	Sensor		2
37	30054113	502.51-06	Lower cylinder base		1
38	30044611	01-505001424-3	Hex socket head cap screw M5×14		14
39	30054108	502.51-01	Clip		2
40	30042173	71-ACQ40×15s	ACQ40×15s cylinder		1
41	30040607		Star knob M10-40		2
42	30037255	05-065101300-3	Flat washer 6×1.6×1.3		6
43	30043168	502.17-07	Coupling shaft		1
44	30054112	502.51-05	Guide shaft 20		4
45	30049262	01-506005524-3	Hex socket head cap screw M6×50		6
46	30054109	502.51-02	Adjustment base board		1
47	30036184	03-608000650-6	Hex nut M8		4
48	30054111	502.51-04	Left diagonal draw bar		1
49	30037255	05-065101300-3	Flat washer 6.4×1.6×12		20
50	30054245	14-LMH16L	14-LMH16L Straight line bearing		4
51	30045212	01-504001224-3	Hex socket head cap screw M4×12		16
52	30042198		Screw 10-25-M8		4

Machine head assembly 1

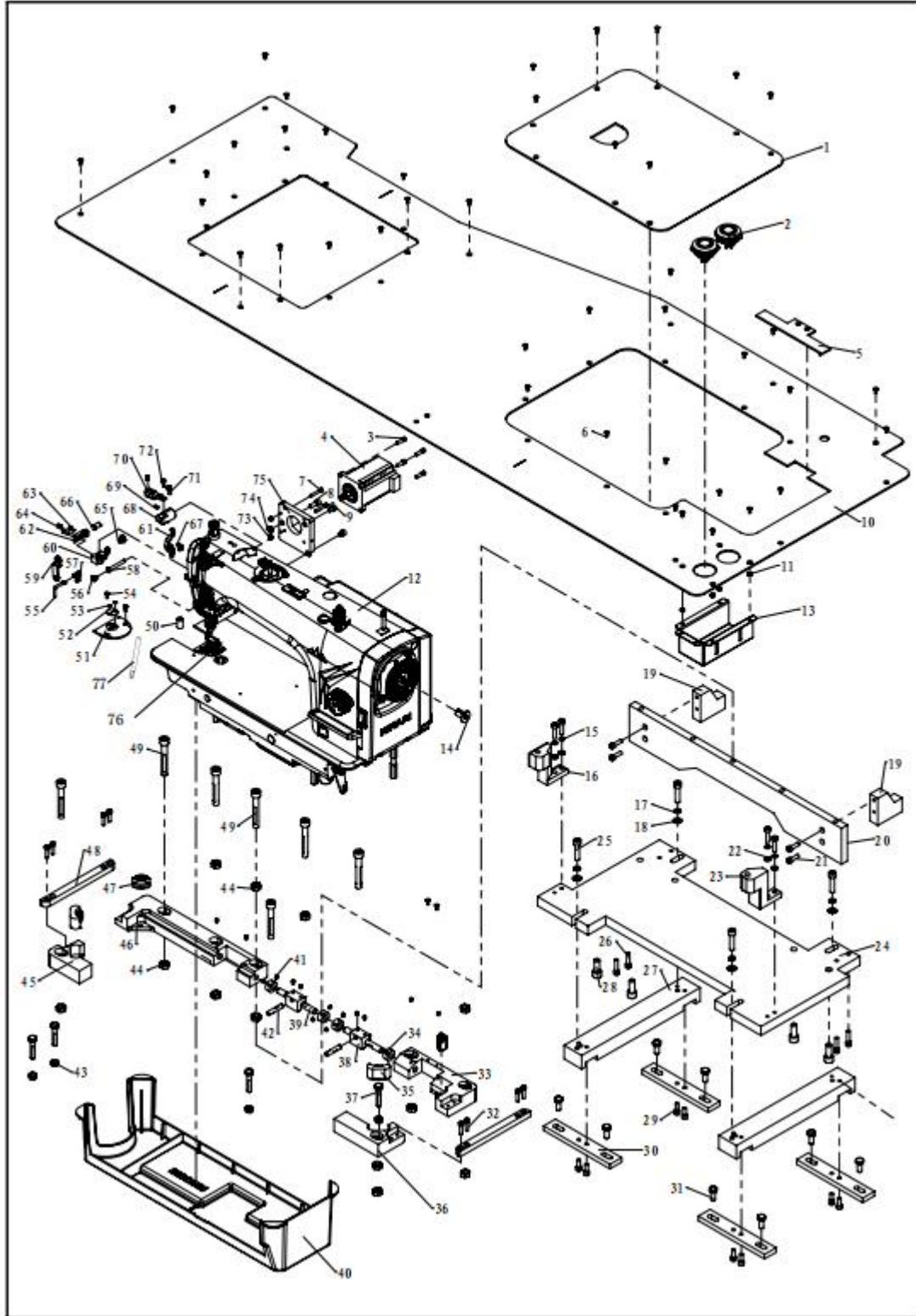


## Machine head assembly 2

S/N	Material No.	Part No.	Name	NAME OF PARTS	Qty
1	30054212	502.60-01	Needle plate cover		1
2	30032965	502.05-12	Metal button		2
3	30037155	01-505001624-3	Hex socket head cap screw M5×16		4
4	30053210	MO-60HSM30-E5Z	Closed-loop motor/8P sH21		1
5	30058067	502.60-36	Right table panel		1
6	30036157	01-104001024-1	Countersunk allen screw M4×10		45
7	30030915	01-504002524-6	Hex socket head cap screw M4×25		2
8	30044616	01-506002024-3	Hex socket head cap screw M6×20		1
9	30044615	01-506001024-3	Hex socket head cap screw M6×10		2
10	30054213	502.60-02	Left table panel		1
11	30036178	03-604000300-6	Hex nut M4		4
12	10000011	H9180N-7C-5	Automatic flat sewing machine		1
13	30058048	502.50-25	Right switch box		1
14	30049492	502.25-52	Handwheel connection sleeve		1
15	30036188	07-0631616-6	Elastic washer 6.3×1.6×1.6		4
16	30054223	502.60-12	Screw support 2		1
17	30036189	07-0812121-6	Elastic washer 8.1×2.1×2.1		4
18	30036253	05-084161600-3	Washer 8.5×1×14		4
19	30054216	502.60-05	Stiffener		2
20	30058014	502.60-37	Rear support fix board		1
21	30044616	01-506002024-3	Hex socket head cap screw M6×20		4
22	30037255	05-065101300-3	Flat washer 6×1.6×1.3		4
23	30054226	502.60-15	502.25-17		1
24	30054215	502.60-04	Transverse adjustment plate for machine head		1
25	30036106	01-508003524-6	Hex socket head cap screwM8×35		4
26	30026442	01-506002524-6	Hex socket head cap screwM6×25		8
27	30058012	502.60-38	Aluminum support for machine head		2
28	30036119	01-510002524-6	Hex socket head cap screw M10×25		4

29	30036101	01-506001624-3	Hex socket head cap screw M6×16		8
30	30058013	502.60-39	Transverse adjustment pad for machine head		4
31	30036073	01-708002025-6	Hexagon bolt M8×20		8
32	30037153	01-505002024-3	Hex socket head cap screw M5×20		8
33	30054225	502.60-14	Right rear mount		1
34	30044816	502.29-13	Fastening rings		4
35	30006134	101.14-12	Large shock pad H8600		2
36	30054224	502.60-13	Right front mount		1
37	30037142	01-708004025-6	Hexagon bolt M8×40		4
38	30054220	502.60-09	Hinge seat		2
39	30045147	502.25-17	Fixing shaft		2
40	30058011	502.60-26	Oil pan		1
41	30005316	01-805000614-1	Hex recessed set screw		16
42	30044827	502.25-16	Rotating shaft		2
43	30036184	03-608000650-6	Hex nut M8		4
44	30036175	03-610000700-6	Hex nut M10		14
45	30045338	502.25-29	Front left mount		1
46	30044704	502.25-26	Rear left mount		1
47	30006135	101.14-13	Small shock pad		2
48	30044684	502.25-19	Junction plate		2
49	30037260	01-510007024-6	Hex socket head cap screw M10×70		7
50	30058033	502.60-24	Needle bar bushing		1
51	30045152	502.25-31	Needle board		1
52	30058015	502.60-23	Needle plate		1

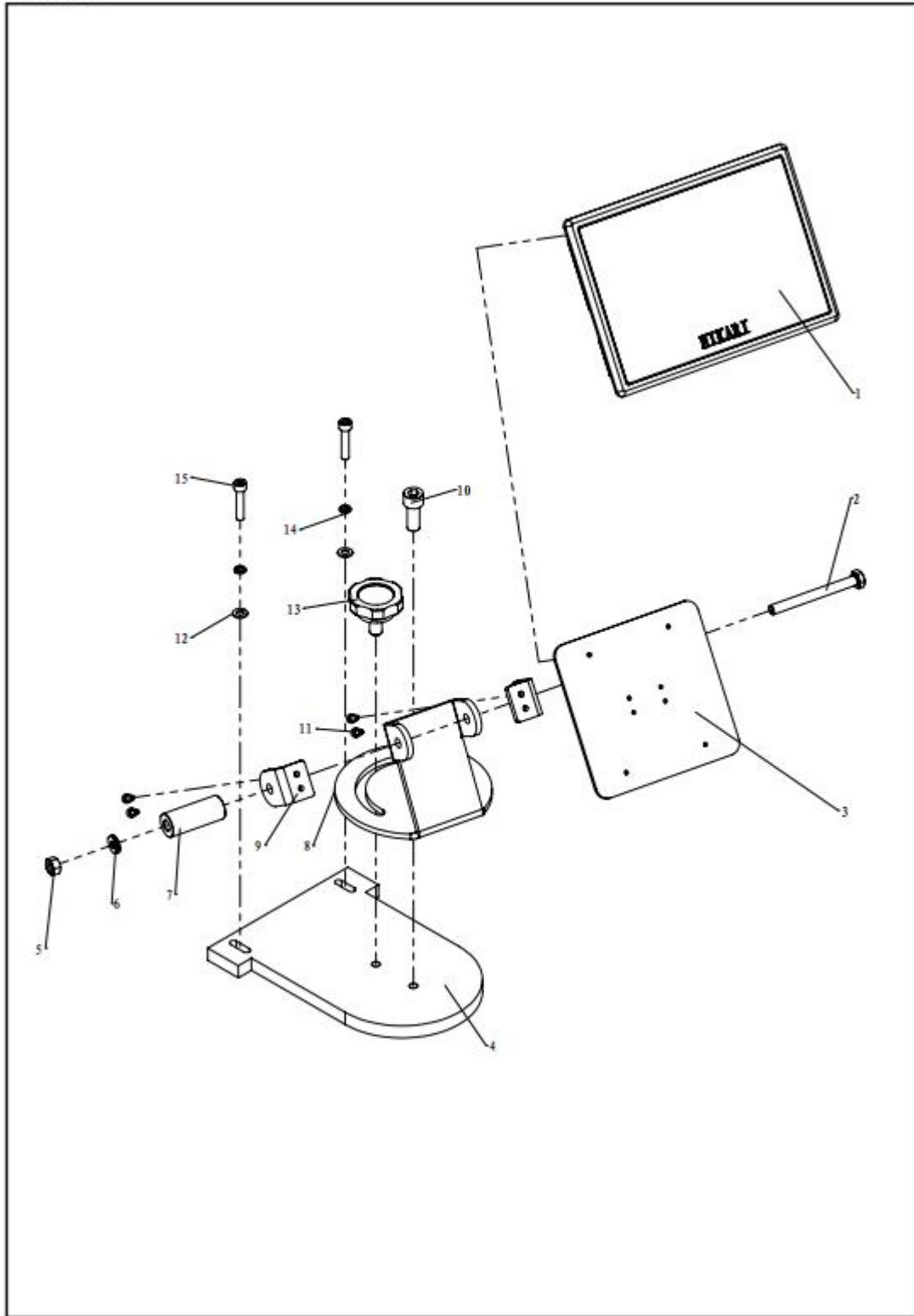
Machine head assembly 3



## Machine head assembly 4

S/N	Material No.	Part No.	Name	NAME OF PARTS	Qty
53	30023396	01-102500422-3	Slotted countersunk screw M2.5×2.5		2
54	30005050	01-104001021-1	Slotted countersunk screw M4×7		2
55	30058041	502.60-33	Threading hook		1
56	30058031	502.60-41	Clamp ejector rod spring		1
57	30058035	502.60-27	Threading hook retaining block		1
58	30058030	502.60-40	Disentwine push rod		1
59	30058038	502.60-30	Connecting rod		1
60	30058037	502.60-29	Presser rod guide		1
61	30058056	502.60-22	Disentwine plate		1
62	30058036	502.60-28	Foot lifter		1
63	30005452	02-509401021-1	Slotted cylindrical head screw sM9/64"×40-10		2
64	30005533	02-816400811-1	Slotted capless screws sM1-4×40		1
65	30007536	421.03-31	Screw		1
66	30058045	502.60-42	Circlip shaft		1
67	30058039	502.60-31	Disentwine pull tab		1
68	30058069	502.60-34	Coupling shaft		1
69	30005320	01-805000814-1	Hex recessed set screw		2
70	30058040	502.60-32	Upper drive lever		1
71	30030916	01-505001024-6	Hex socket head cap screw M5×10		1
72	30044605	01-504001024-3	Hex socket head cap screw M4×10		1
73	30036178	03-604000300-6	Hex nut M4		2
74	30036182	03-606000500-6	Hex nut M6		1
75	30058068	502.60-35	Motor fix board		1
76	30053200	502.25-62	Special hook		1
77	30043627	502.25-60	Needle bar		1

Display assembly 1

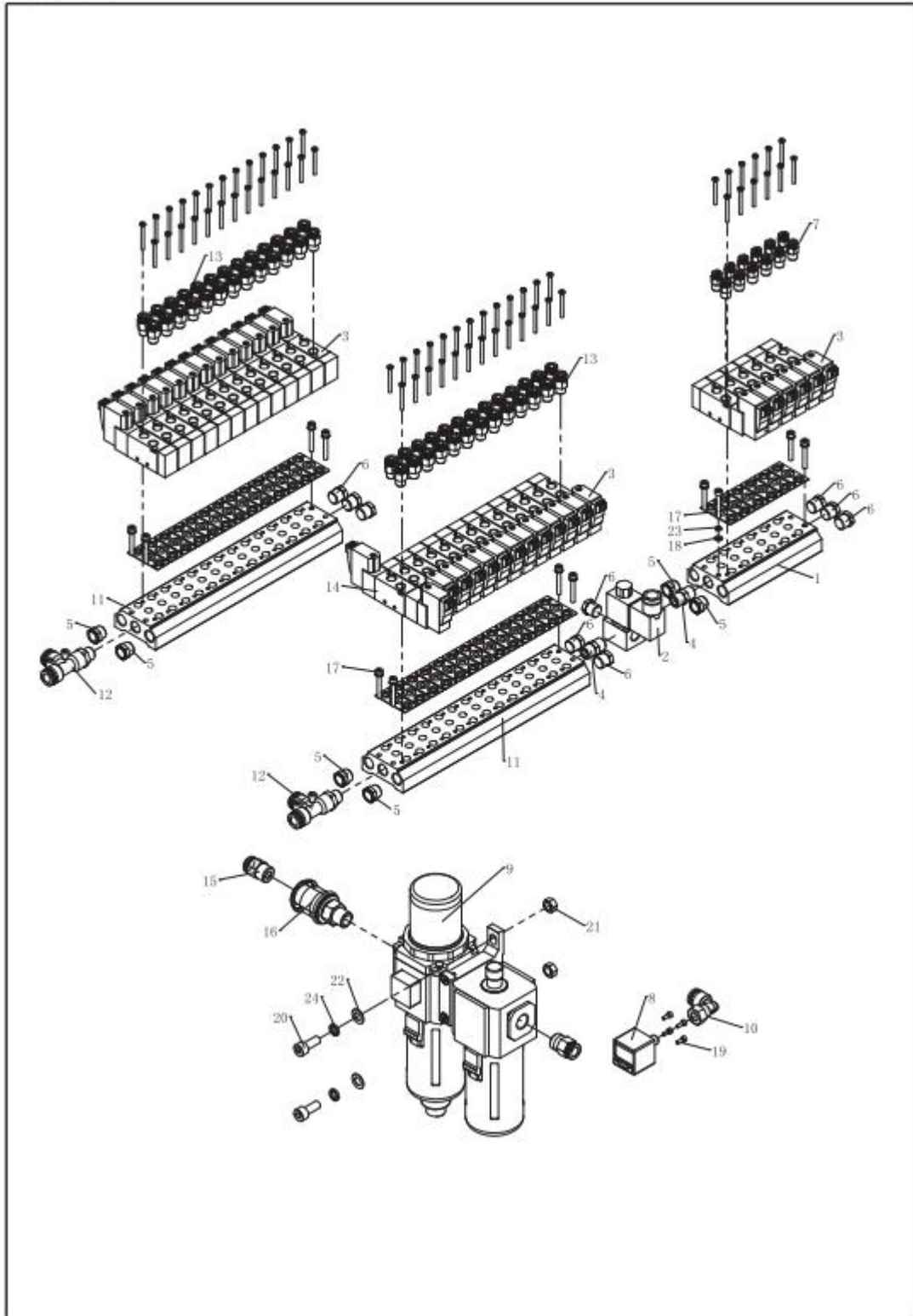




Display assembly 2

S/N	Material No.	Part No.	Name	NAME OF PARTS	Qty
1	30045442	CP-25Z/02	8" panel assembly		2
2	30040511	01-708008025-4	Hex head screw M8x80		2
3	30054248	502.50-24	Display mounting plate		1
4	30054092	502.50-08	Display base		1
5	30036184	03-608000650-6	Hex nut M8		1
6	30018486	05-061251500-1	Washer 6 — 1x2 — 5x15		1
7	30032916	470.08-01-04	Support for operation box mounting plate		1
8	30054252	502.50-07	Operation box mounting plate A		1
9	30058032	502.50-36	Operation box mounting plate C		1
10	30036119	01-510002524-6	Hex socket head cap screw M10x25		1
11	30030912	01-504000824-6	Hex socket head cap screw M4x8		2
12	30037255	05-065101300-3	Flat washer 6 — 4x1 — 6x12		1
13	30058072		Star knob(M8-20)		1
14	30036188	07-0631616-6	Elastic washer 6 — 3x1 — 6x1 — 6		1
15	30033910	01-506003024-6	Hex socket head cap screw M6x30		1

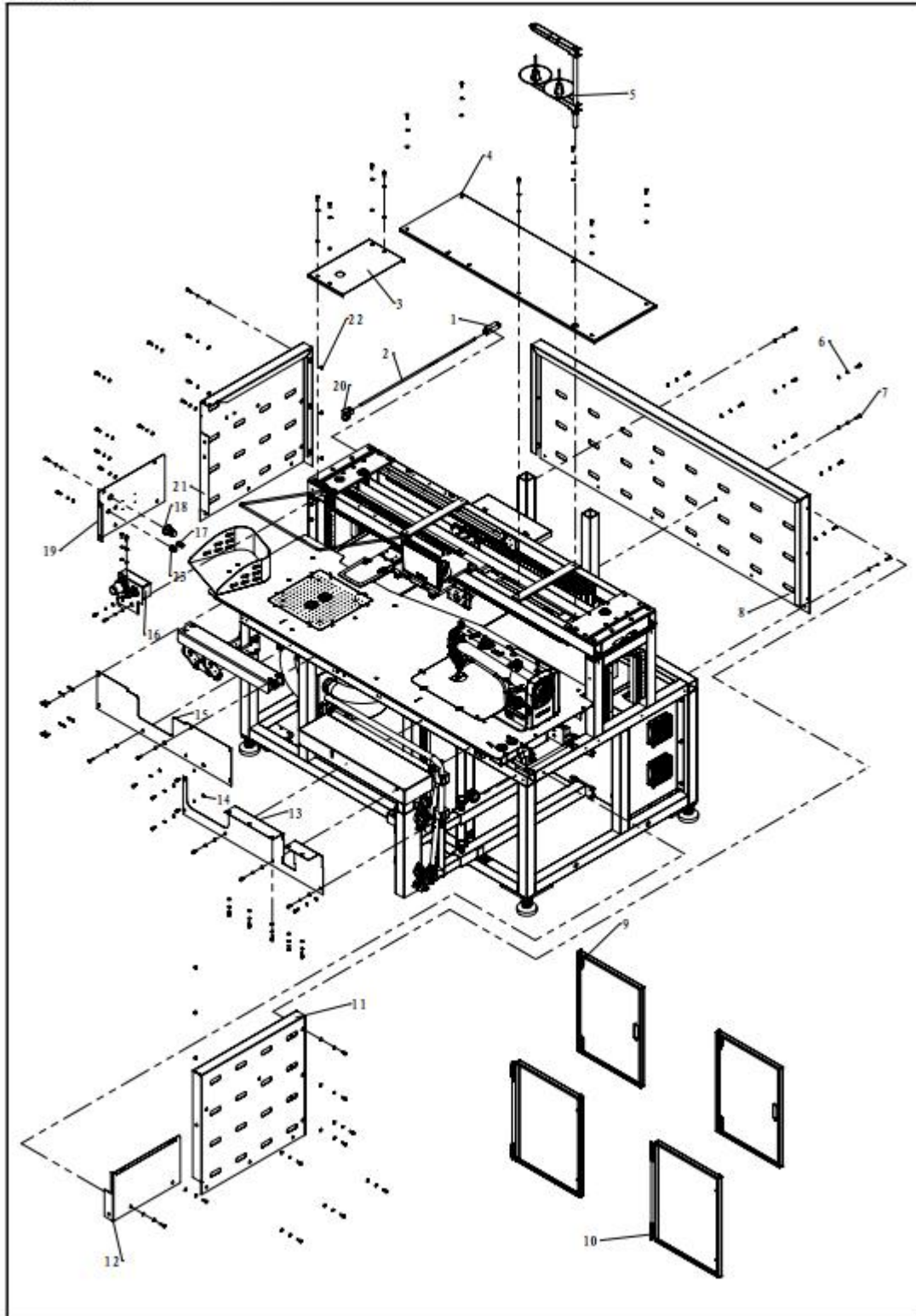
Pneumatic control assembly 1



## Pneumatic control assembly 2

S/N	Material No.	Part No.	Name	NAME OF PARTS	Qty
1	30044314		Solenoid valve seat 100M6F		1
2	30044316		Solenoid valve 3V208NOB		1
3	30041531	5V11006B	Solenoid valve		31
4	30041529		Double outer thread straight coupler BB0202		2
5	30041535	BSLM02	Muffler		6
6	30041536	BZ02	Hex plug		9
7	30038912	BPC401	Coupler		12
8	30043224	SR-DPSN1-10020	DPSN1-10020 digital pressure switch		1
9	30042186	GFC40010AF1	Pressure regulating filter		1
10	30044319		L-shaped internal thread two-way coupler PL1001		1
11	30044315		Solenoid valve seat 100M13F		2
12	30044320		T-side threaded tee coupler PED1002		2
13	30038913	BPC601	Coupler		52
14	30043762		Solenoid valve 5V130C06B		1
15	30042189	PC1003	Coupler		2
16	30044318		Manual spool valve HSV10		1
17	30025655	01-504003024-1	Hex socket head cap screwM4X30		12
18	30036196	05-042030900-6	Washer4.2×0.3×9		12
19	30020051	01-503000824-1	Hex socket head cap screw M3×8		4
20	30037162	01-508002024-3	Hex socket head cap screwM8×20		2
21	30036184	03-608000650-6	Hex nutM8×6.5		2
22	30036253	05-084161600-3	Washer8.5×1×14		2
23	30036187	07-0421111-6	Spring washer4.2×1.1×1.1		12
24	30005773	07-0812121-1	Spring washer8.1×2.1×2.1		2

Frame enclosure 1



Frame enclosure 2

S/N	Material No.	Part No.	Name	NAME OF PARTS	Qty
1	30058054	502.50-33	Lateral infrared mount		1
2	30058053	502.50-32	Laser positioning rod		1
3	30054095	502.50-11	Left top plate		1
4	30054094	502.50-10	Right top plate		1
5	30004462	101.12-01	Thread stand		1
6	30036188	07-0631616-6	Elastic washer 6.3×1.6×1.6		70
7	30036101	01-506001624-3	Hex socket head cap screw M6×16		69
8	30054097	502.50-13	Upper mid-panel		1
9	30054236	502.61-50-00	Right cabinet door		2
10	30054237	502.61-51-00	Left cabinet door		2
11	30054098	502.50-14	Upper right panel		1
12	30054102	502.50-18	Front right support plate		1
13	30054099	502.50-15	Right support plate		1
14	30037255	05-065101300-3	Flat washer 6×1.6×1.3		69
15	30054101	502.50-17	Front support plate		1
16	30058058	502.50-37	Electrical connector mounting plate		1
17	30044502	SR-16MM-R	Switch/button/red/16mm		2
18	30047236	SR-ZB2-BS54C	Schneider emergency stop switch/red pushbutton		1
19	30054100	502.50-16B	Left support plate		1
20	30058054	502.50-33	Lateral infrared mount		1
21	30054096	502.50-12	Upper left panel		1
22	30036182	03-606000500-6	Hex nut M6		6
23	30044503	SR-16MM-G	Switch/button/green/16mm		1

E-mail: [hikari@chinahikari.com](mailto:hikari@chinahikari.com)      Web: [www.chinahikari.com](http://www.chinahikari.com)  
NO.800, ZHONGDA ROAD, ZHUJING INDUSTRIAL ZONE,  
Fax: (00)86-21-67311311 JINSHAN DISTRICT, SHANGHAI CHINA.  
Tel: (00)86-21-67311111 (ext. Foreign Trade Dept)